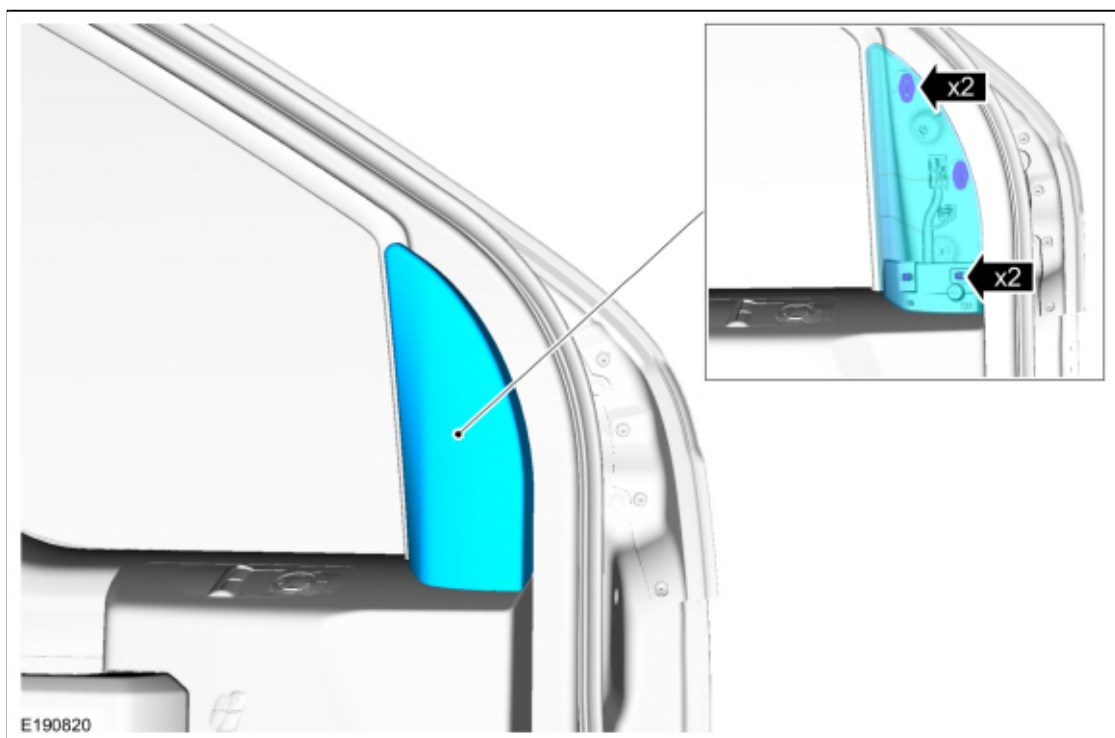


Exterior Mirror - Vehicles With: Short Arm Mirrors

Base Part Number: 17682

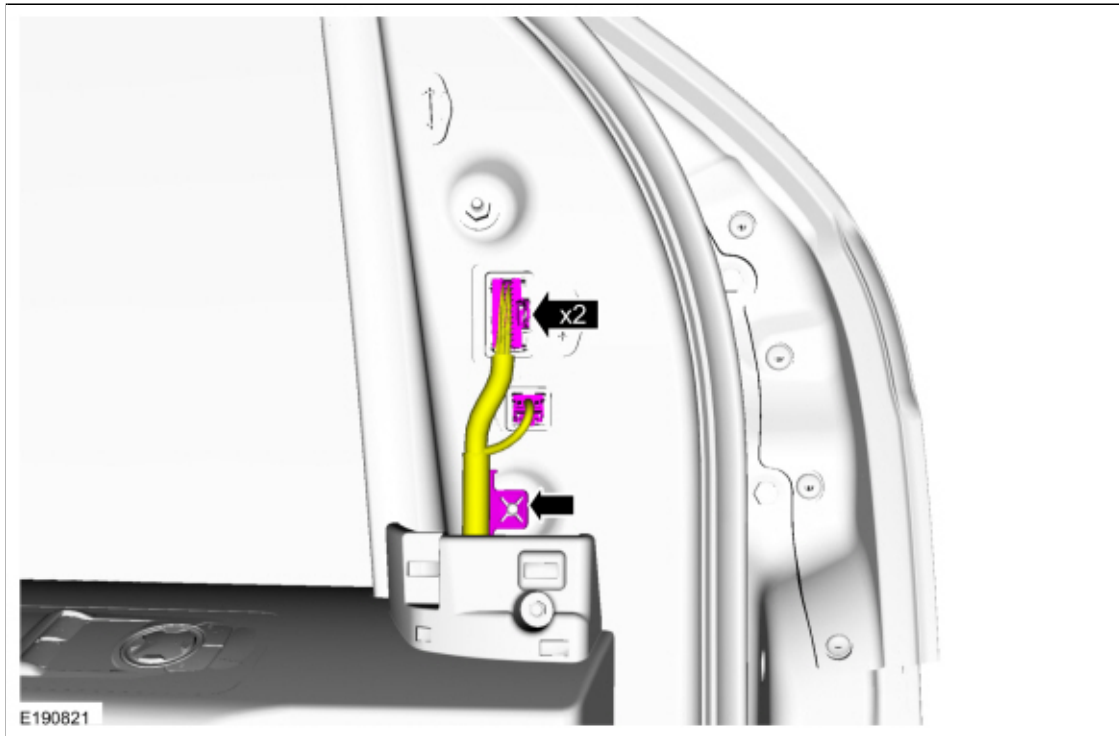
Removal**Exterior mirror**

1. Remove the sail panel trim panel.



2. Disconnect the exterior mirror electrical connectors and separate the wiring harness guide.



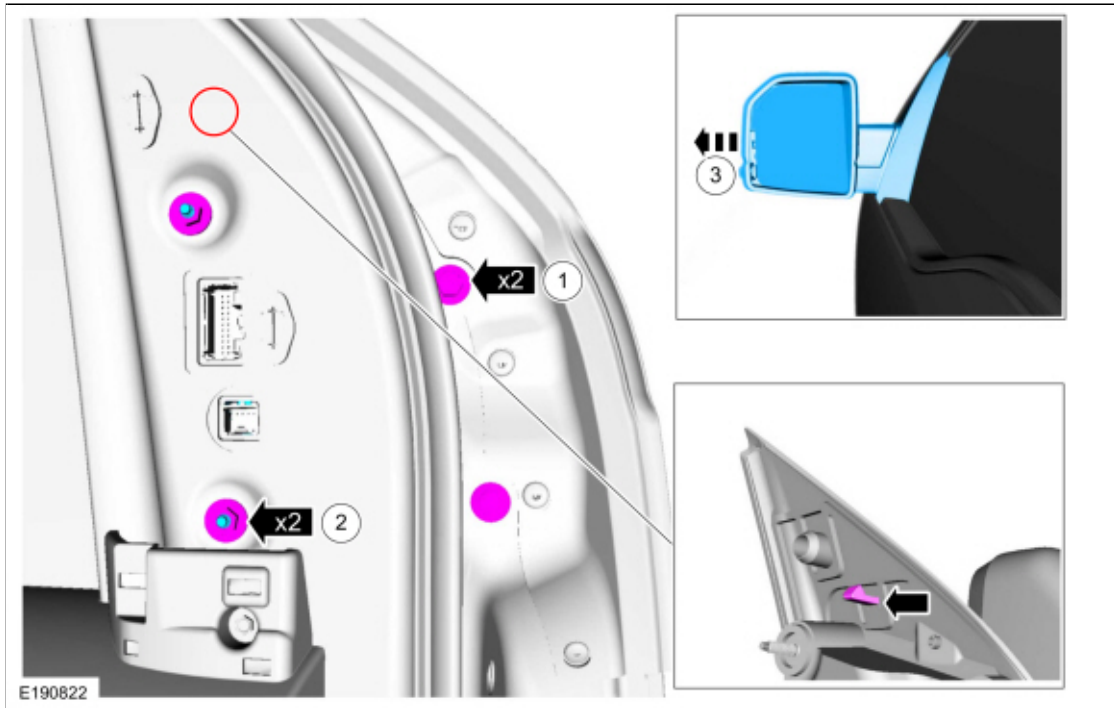


3. **NOTE:** *The mirror assembly has a molded hook for assembly aid at the factory. If the hook is damaged during mirror removal, remove the hook from the door panel and reuse the mirror.*

Remove the exterior mirror.

1. Remove the bolts.
Torque: 80 lb.in (9 Nm)
2. Remove the nuts.
Torque: 80 lb.in (9 Nm)
3. Slide the exterior mirror outward.





Exterior mirror glass

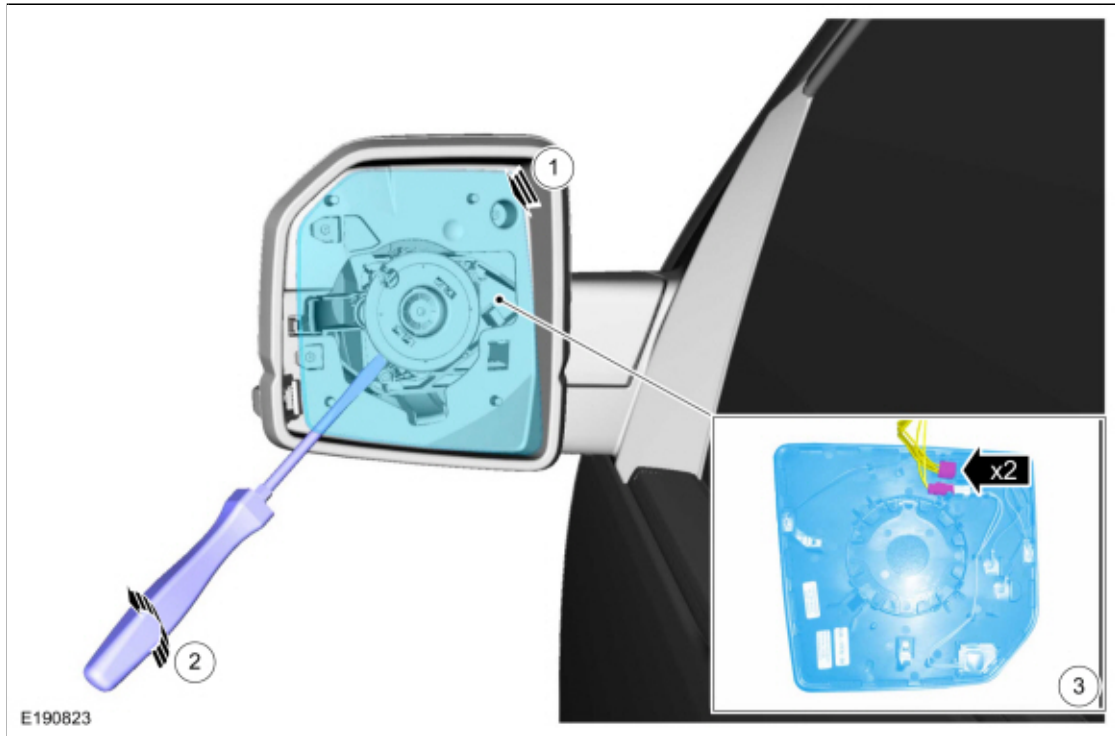
4. **NOTICE:** Position the screwdriver using the service slot in the mirror glass backing plate to remove the mirror glass. Prying on the backing plate in other locations may damage the mirror glass.

Remove the exterior mirror glass.

1. Position the mirror glass in and up.
2. Using a flat blade screwdriver separate the exterior mirror glass from the exterior mirror motor.
3. **NOTE:** *The number and location of the electrical connectors will vary based on mirror option content.*

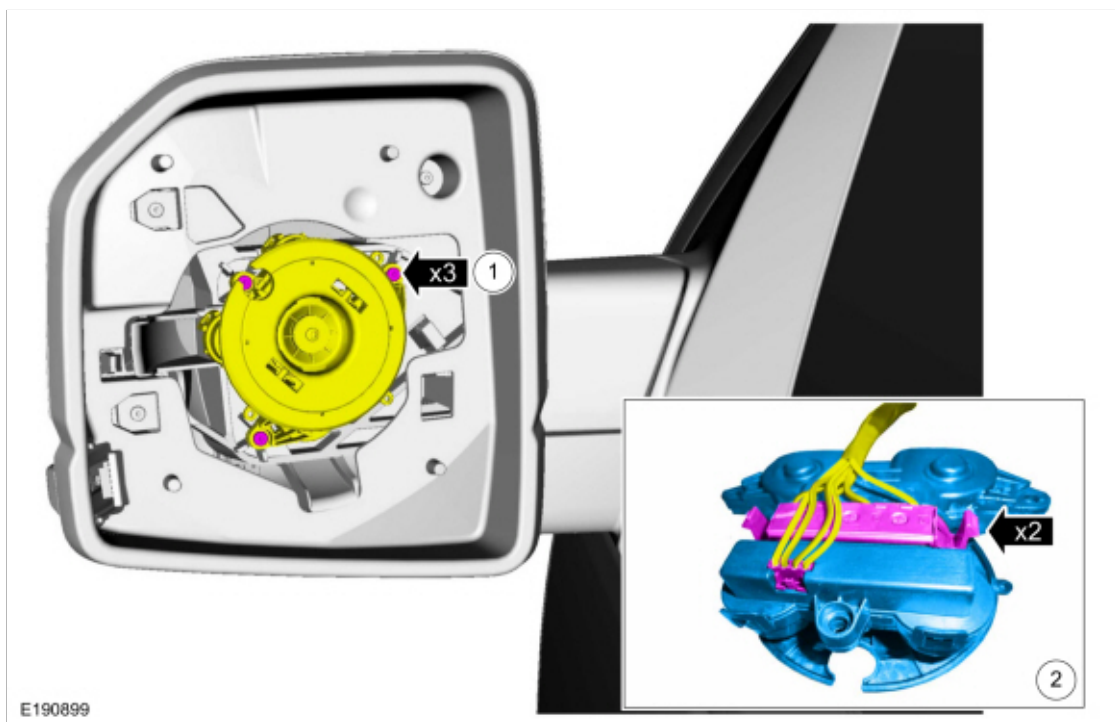
Disconnect the exterior mirror glass electrical connectors.





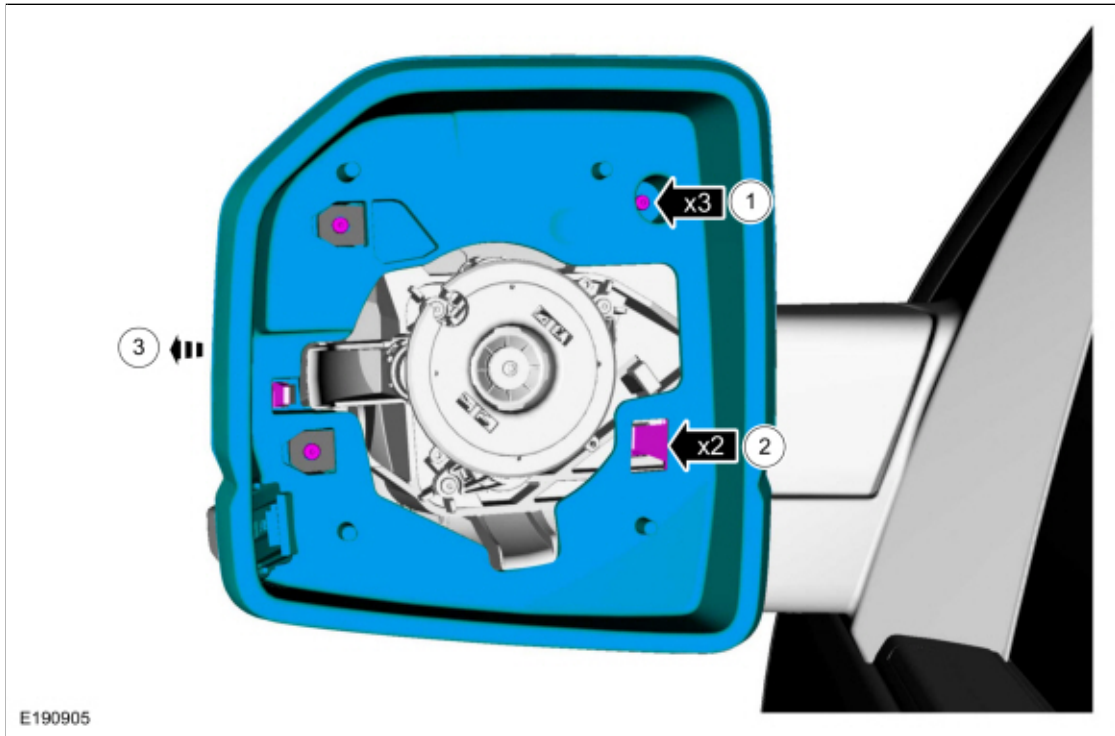
Exterior mirror motor

5. Remove the exterior mirror glass.
6. Remove the exterior mirror motor.
 1. Remove the screws and position the exterior mirror motor aside.
 2. Disconnect the exterior mirror motor electrical connectors.



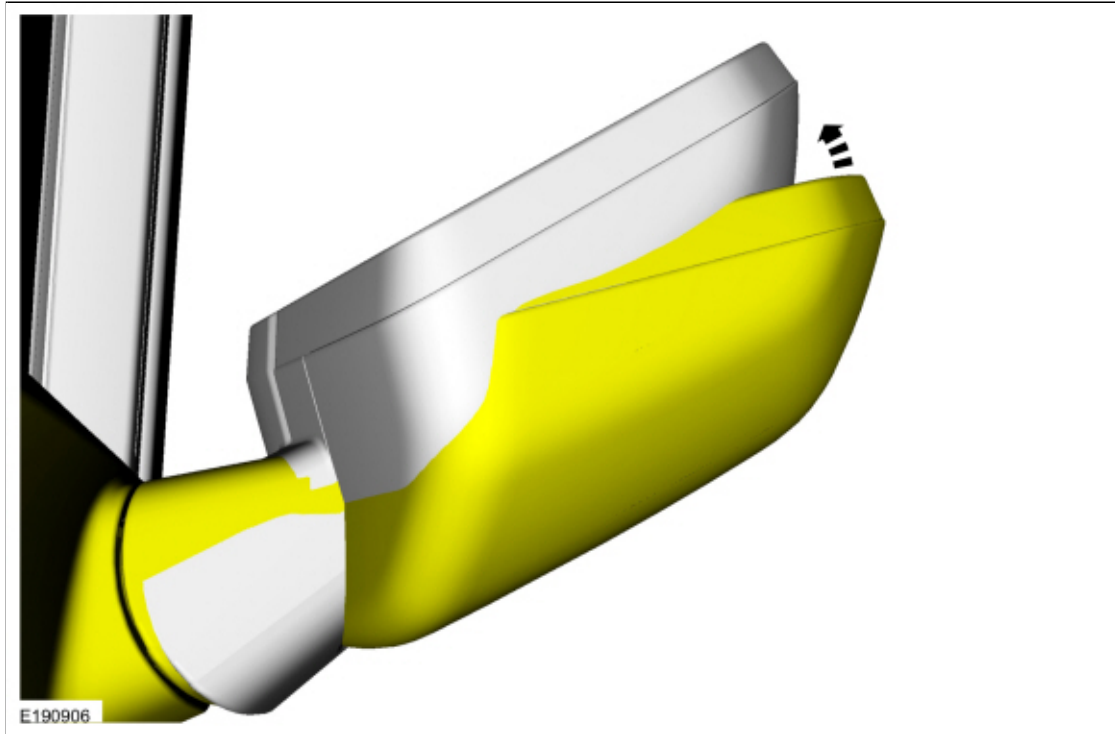
Exterior mirror cover

7. Remove the exterior mirror glass.
8. Remove the exterior mirror bezel.
 1. Remove the exterior mirror bezel screws.
 2. Release the exterior mirror bezel tabs.
 3. Slide the exterior mirror bezel outward off the tabs.

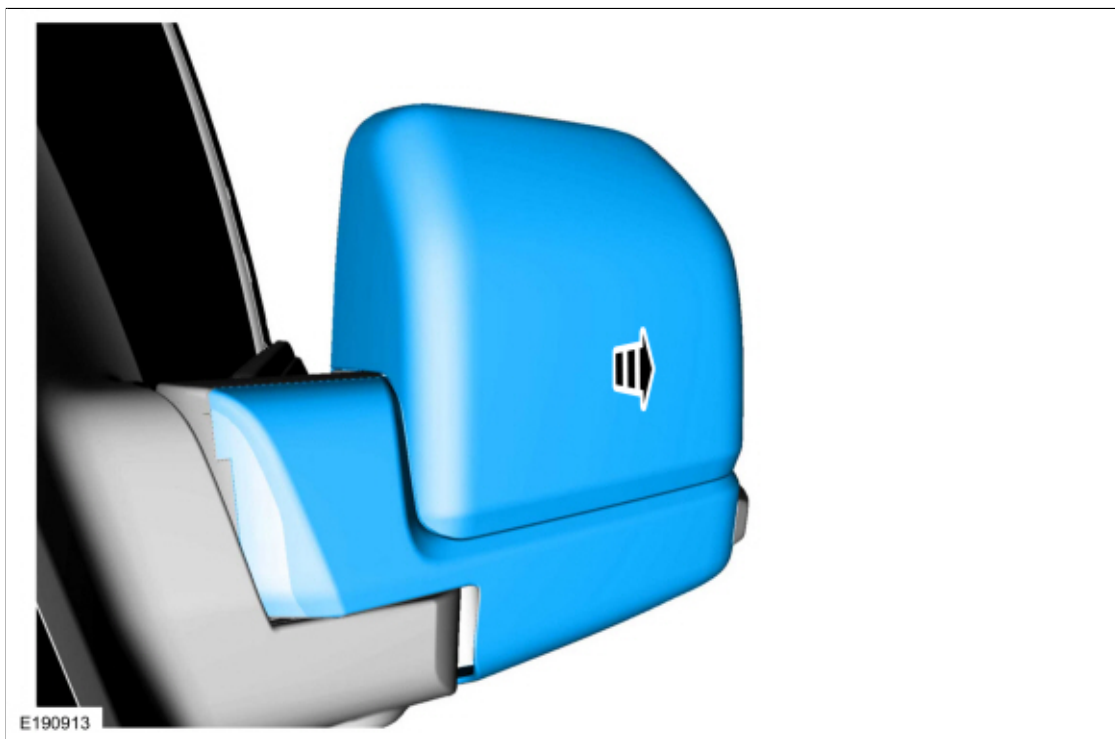


9. Position the mirror arm in slightly.

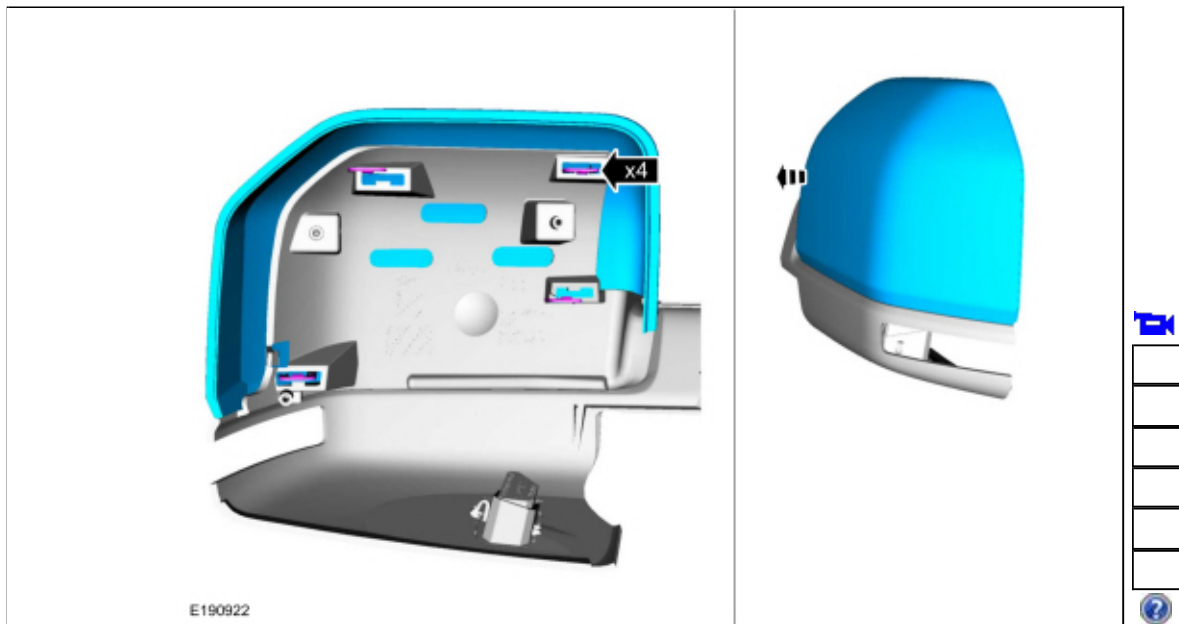




10. Remove the exterior mirror cover assembly.



11. Release the tabs and remove the exterior mirror cover.

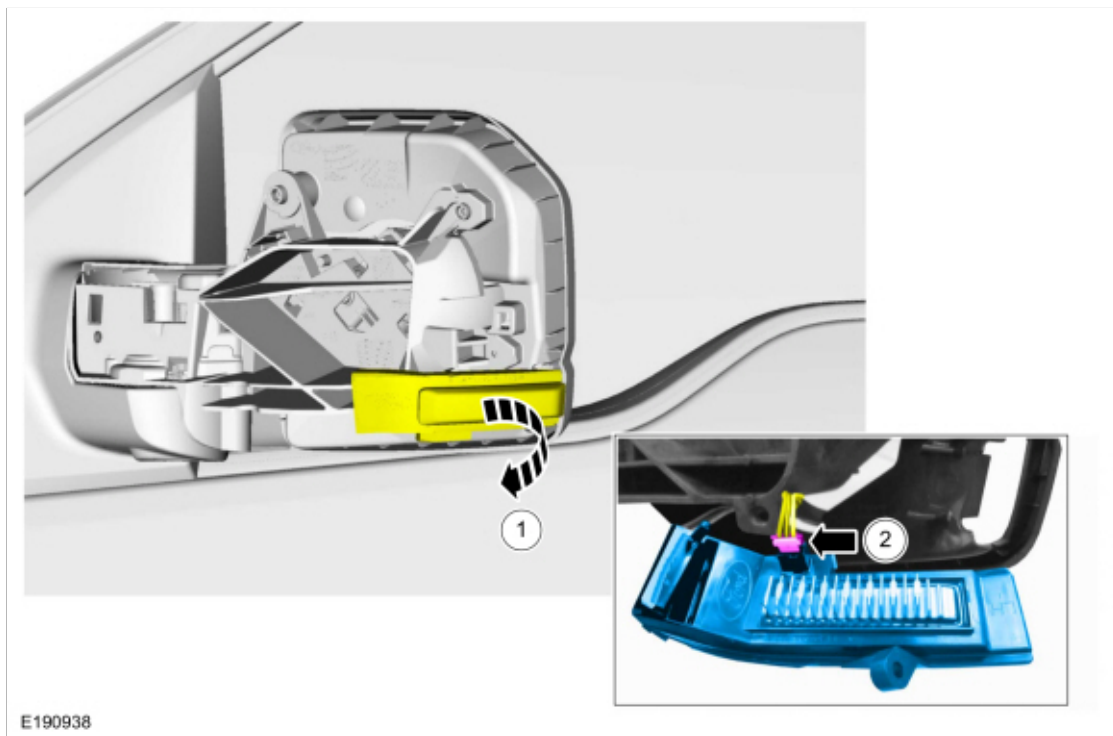


Exterior mirror mounted turn signal

12. Remove the exterior mirror cover assembly.
13. **NOTE:** *The turn signal assembly also contains the spotlamp function depending on option content.*

Remove the exterior mirror mounted turn signal.

1. Position the exterior mirror mounted turn signal aside.
2. Disconnect the exterior mirror mounted turn signal electrical connector.



Puddle lamp

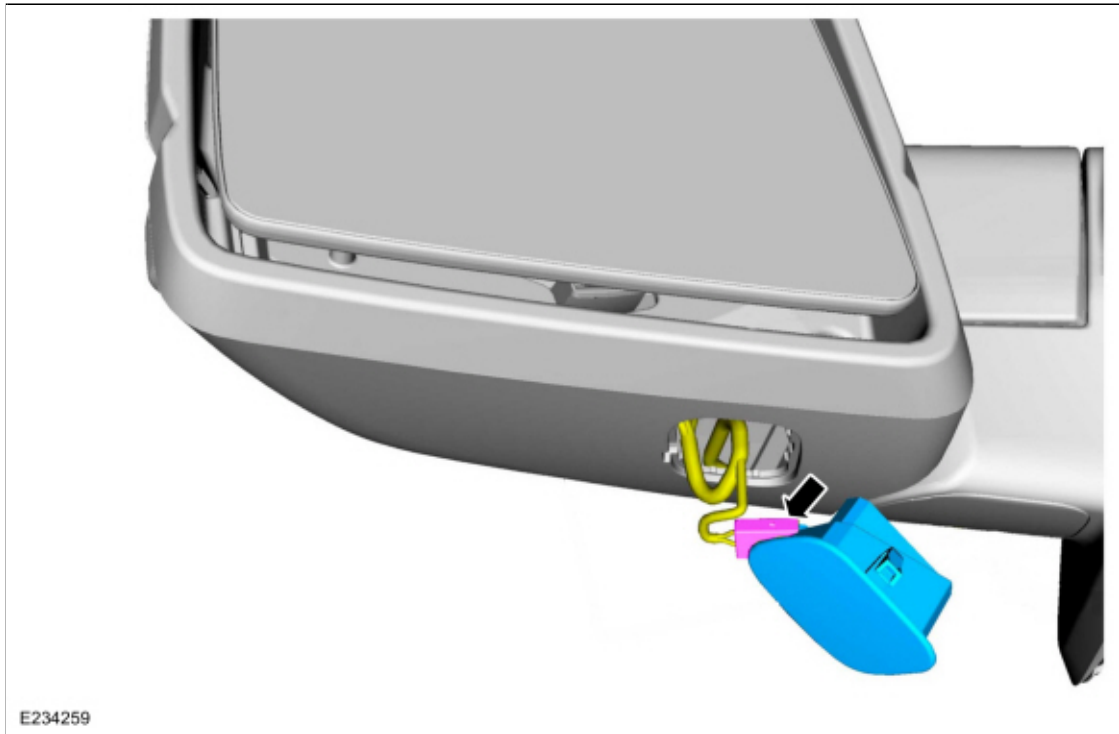
14.

1. Using a small flat blade screwdriver, release the puddle lamp retaining tab.
2. Position the puddle lamp down.



15. Disconnect the electrical connector and remove the puddle lamp.





Installation

Exterior mirror

1. To install, reverse the removal procedure.

Exterior mirror glass

2. To install, reverse the removal procedure.

Exterior mirror motor

3. To install, reverse the removal procedure.

Exterior mirror cover

4. To install, reverse the removal procedure.
5. On vehicles equipped with power fold mirrors synchronize the mirrors.
Refer to: [Power Mirrors Synchronization](#) (501-09 Rear View Mirrors, General Procedures).

Exterior mirror mounted turn signal

6. To install, reverse the removal procedure.
7. On vehicles equipped with power fold mirrors synchronize the mirrors.
Refer to: [Power Mirrors Synchronization](#) (501-09 Rear View Mirrors, General Procedures).

Puddle lamp

8. To install, reverse the removal procedure.

Copyright © 2018 Ford Motor Company
