



Ford Pro AC Charging Station 80A

Installation Manual v2.0 / Manuel d'utilisation v2.0



Procharging@ford.com for product and service sales inquiries.
Chargingsupport@fordpro.com for hardware and software support.

Customer Support
US: 800-343-5338
Canada: 800-668-5515

Table of Contents

- Important Safety Instructions.....4
- 1 Introduction..... 7
 - 1.1 Product View8
- 2 Specification 12
 - 2.1 Product specifications12
- 3 Installation 13
 - 3.1 Before Installation.....13
 - 3.2 Tools & parts required for installation.....14
 - 3.3 Charge Point Installation.....15
 - 3.4 Input Power Cord Installation.....19
 - 3.5 Adjust Max. Output Current 22
 - 3.6 Holster Installation 22
- 4. Operations 26
 - 4.1 Charging status indicators.....26
 - 4.2 Charging an Electric Vehicle (EV) 27
 - 4.3 Stop charging 27
 - 4.4 General care.....28
 - 4.5 Customer support.....28
 - 4.6 Limited Warranty28

SOMMAIRE

Consignes de sécurité importantes.....	29
1 Introduction	34
1.1 Visualisation du produit	34
2 Spécifications	38
2.1 Spécifications du produit.....	38
3 Installation.....	40
3.1 Avant l'installation	40
3.2 Outils & pièces nécessaires à l'installation	41
3.3 Installation du point de charge	42
3.4 Installation du câble d'alimentation d'entrée	46
3.5 Ajuster le courant de sortie maximum.....	49
4 Opérations	53
4.1 Indicateurs de statut de charge.....	53
4.2 Chargement d'un véhicule électrique (EV).....	54
4.3 Arrêtes' de charger.....	54
4.4 So insgénéraux.....	55
4.5 Support client	56
4.6 Garantie limitée	56



IMPORTANT SAFETY INSTRUCTIONS

This document contains instructions and warnings that must be followed when installing and using the Electric Vehicle Supply Equipment (EVSE). Before installing or using the EVSE, read this entire document as well as WARNING and CAUTION markings in this document.

Safety Instructions

The symbols used have the following meaning:



WARNING: RISK OF PERSONAL INJURY



WARNING: RISK OF ELECTRIC SHOCK



WARNING: RISK OF FIRE OR EXPLOSION



CAUTION: RISK OF DAMAGE TO THE EQUIPMENT

- The information provided in this manual in no way exempts the user of responsibility to follow all applicable codes or safety standards.
- This document provides instructions for the Electric Vehicle Supply Equipment (EVSE) and should not be used for any other product.

Repair and Maintenance Clause



- Only licensed electricians can repair or maintain the charge point. It is forbidden for general users to install, repair or maintain it.
- Turn off input power and verify absence of voltage before installation, repair &/or maintenance of the charge point.

Federal Communication Commission Interference Statement

This equipment complies with part 15 of the FCC rules. Operation is subject to the following two conditions: (1) This equipment may not cause harmful interference, and (2) this equipment must accept any interference received, including interference that may cause undesired operation.

This equipment has been tested and found to comply with the limits for a Class B digital device, pursuant to Part 15 of the FCC rules. These limits are designed to provide reasonable protection against harmful interference in a residential installation. This equipment generates, uses, and can radiate radio frequency energy and, if not installed and used in accordance with the instructions, may cause harmful interference to radio communications. However, there is no guarantee that interference will not occur in a particular installation. If this equipment does cause harmful interference to radio or television reception, which can be determined by turning the equipment off and on, the user is encouraged to try to correct the interference by one or more of the following measures:

- Reorient or relocate the receiving antenna.
- Increase the separation between the equipment and receiver.
- Connect the equipment into an outlet on a circuit different from that to which the receiver is connected.
- Consult the dealer or an experienced radio/TV technician for help.

Changes or modifications not covered in this guide must be approved in writing by the manufacturer's Regulatory Engineering Department. Changes or modifications made without written approval may void the user's authority to operate this equipment.

Industry Canada statement:



Ford Pro contact info: chargingsupport@fordpro.com and 1-800-34-FLEET

US Customer Support: 800-343-5338

Canadian Customer Support: 800-668-5515

This equipment complies with ISED's license-exempt RSSs. Operation is subject to the following two conditions: (1) This device may not cause harmful interference, and (2) this equipment must accept any interference received, including interference that may cause undesired operation.

Le présent appareil est conforme aux CNR d'ISED applicables aux appareils radio exempts de licence. L'exploitation est autorisée aux deux conditions suivantes: (1) le dispositif ne doit pas produire de brouillage préjudiciable, et (2) ce dispositif doit accepter tout brouillage reçu, y compris un brouillage susceptible de provoquer un fonctionnement indésirable.

Radiation Exposure Statement:

This equipment complies with ISED radiation exposure limits set forth for an uncontrolled environment. This equipment should be installed and operated with greater than 20cm between the radiator & your body.

Déclaration d'exposition aux radiations:

Cet équipement est conforme aux limites d'exposition aux rayonnements ISED établies pour un environnement non contrôlé. Cet équipement doit être installé et utilisé à plus de 20 cm entre le radiateur et votre corps.



WARNING: RISK OF PERSONAL INJURY

This equipment is intended only for charging vehicles that do not require ventilation during charging. Please refer to your vehicle's owner's manual to determine ventilation requirements.



WARNING: RISK OF PERSONAL INJURY

Do not use extender cables to increase the length of the charging cable. Maximum length is limited to 25 feet by the National Fire Protection Agency.



WARNING: RISK OF PERSONAL INJURY

Do not drag this equipment by input power cord.





WARNING: RISK OF ELECTRIC SHOCK

Basic precautions should always be followed when using electrical products, including the following:

- Read all the instructions before using this equipment.
- This equipment should be supervised when used around children.
- Do not put fingers into the EV connector.
- Do not use this equipment if the flexible power cord or EV cable is frayed, has broken insulation, or any other signs of damage.
- Do not use this equipment if the enclosure or the EV connector is broken, cracked, open, or shows any other indication of damage.



WARNING: RISK OF ELECTRIC SHOCK

Improper connection of the equipment grounding conductor can result in a risk of electric shock. Check with a qualified electrician or serviceman if you are in doubt as to whether the product is properly grounded.



WARNING: RISK OF ELECTRIC SHOCK

Do not touch live electrical parts. Incorrect connections may cause electric shock.



WARNING: RISK OF ELECTRIC SHOCK

Do not remove cover or attempt to open the enclosure. No user serviceable parts inside. Refer servicing to qualified service personnel.



WARNING: RISK OF FIRE OR EXPLOSION

To reduce the risk of fire, replace only with same type and rating of fuse.



WARNING: RISK OF FIRE OR EXPLOSION

This equipment has internal arcing or sparking parts which should not be exposed to flammable vapors. It should not locate in a recessed area or below floor level. Automatic reset feature provided.



WARNING: RISK OF FIRE OR EXPLOSION

Do not use this device with an extension cord.



CAUTION: RISK OF DAMAGE TO THE EQUIPMENT

Do not operate this equipment in temperatures outside its operating range of -35°C to +55°C (-31°F to +131°F).



**CAUTION: RISK OF DAMAGE TO THE EQUIPMENT**

Store this equipment in a clean dry place in temperatures between -40°C and +80°C (-40°F to +176°F).

SAVE THIS INSTRUCTION

1 Introduction

This user manual applies to “80A Level 2 AC Charger for Plug-in Electric Vehicles (PEVs) and Battery Electric Vehicles (BEVs)”.

!!! Any unauthorized modifications will void the manufacturer’s warranty!!!



1.1 Product View



Figure 1-1 Front view

Box Contents

Inside the box, you will find the following accessories.



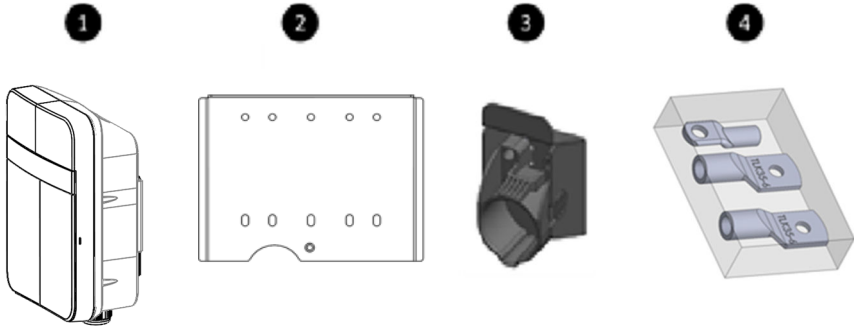


Figure 1-2 Box contents

Table 1-1 Accessories in the box

Item	Description	QTY	Remark
1	Basic/Smart/Intelligent Charger-80A	1	Depending on your order content
2	Mounting Bracket	1	Attached to the back of the charge point
3	Holster ASSY	1	With Hook x1, Holster x1, M4xL15 tapping screw x2
4	Accessory Bag	1	#2 AWG Ring terminal lug x 2, #8 AWG Ring terminal lug, M6 machine screw x1

Carton Opening Process



1. Open the carton and remove the EPE Foam.

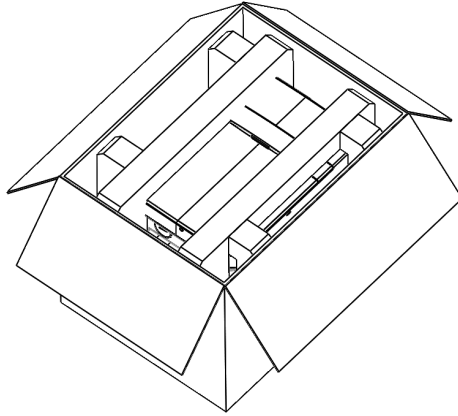


Figure 1-3 Opening the carton

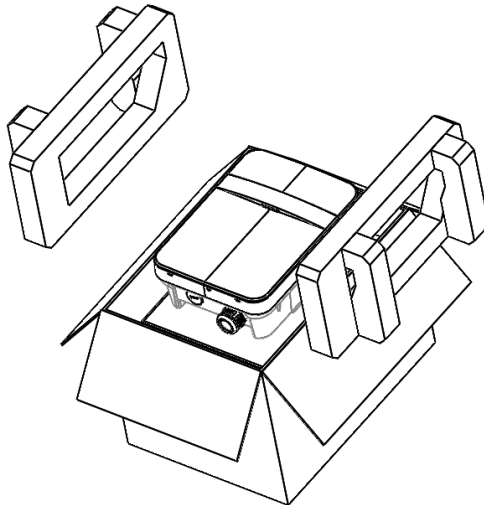


Figure 1-4 Charge point device



2. Take out the charge point and then remove the mounting bracket before installing it.

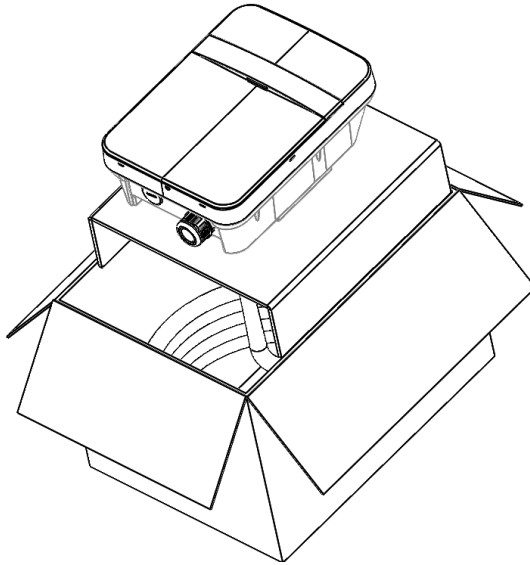


Figure 1-5 Take out the charge point

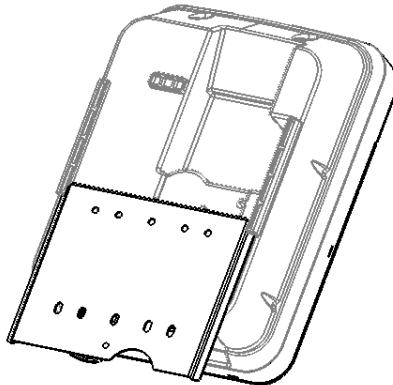


Figure 1-6 Remove the mounting bracket

2 Specification

2.1 Product specifications

Table 2-1 Product specifications

Item	80A
Application	Commercial
Voltage (Vac)	208/240VAC (-20% ~ +15%), Single Phase
Line to Ground Voltage	120V +/- 10%
Frequency (Hz)	60Hz
Rated Current (Amp)	Max. 80 A
Charging Connector	SAE J1772 Type 1
LED Indications	<ul style="list-style-type: none"> • Green Steady: Ready • Green Flashing (Fast): Authorized, wait for EV Connect • Green Flashing (Slow): Suspend (Occupying) • Blue Flashing (Slow): Charging • Red Steady: Unrecoverable Fault • Red Flashing (Slow): Recoverable Fault • Yellow Flashing (Slow): Booting / Firmware Upgrading / Out of Service <p><u>Remark</u></p> <ul style="list-style-type: none"> • Fast Flash: On Time 300ms, Off Time 200ms, 2Hz • Slow Flash: On Time 1200ms, Off Time 800ms, 0.5Hz
Wi-Fi	802.11 b/g/n
Ethernet	YES (RJ45, CAT 5e)
Cellular	M2M connection (4G LTE CAT.M1/CAT.NB IoT)
Data Protocol	OCPP 1.6
Operation Temp.	-35 ~ 55 °C (-31 to 131°F)
Storage Temp.	-40 ~ 80 °C (-40 to 176°F)
Maximum Operating Altitude	3500m above sea level
Meter accuracy	±1%
Mounting Type	Wall mount / Pedestal (optional)



Item	80A
Wiring Type	Hard-wired
Enclosure Level	NEMA 3R
Impact Resistance	IK10
Dimension(H x W x D)	14.1"x10.6"x5.5"
Web Portal Management	Yes
Console Management	Yes
Certification	UL 1998/2231/2594
	FCC Part 15B
	FCC Part 15.247 (WLAN 2.4GHz)
	Energy Star
	FCC Part 22/24/27

3 Installation

3.1 Before Installation

3.1.1 Safety Check

- Check for transport damages.
- Before connecting the product to the power supply, check that the power supply voltage and current rating corresponds with the power supply details shown on the product rating label.



CAUTION: Disconnect the power supply before installing or repairing the charge point. Fail to do so may result in physical injury or damage to the power supply system and the charge point.



DANGER: RISK OF SUFFOCATION

Keep any packing materials away from children – these materials are potential source of danger, e.g. suffocation.



CAUTION: Cord extension sets are not allowed to be used.

The charge point must be installed only by a licensed electrician in accordance with the provisions of the local electrical industry construction and should comply with National Electrical Codes and standards. Before installing the charge point, make sure you have read all of these instructions in this manual and fully understand its contents.



Appropriate protection is required when connecting to a main switchboard. The tools and parts used as outlined in the section “Tools & parts required for installation”.

3.1.2 Grounding instructions

The charge point must have equipment grounding through a permanent wiring system or an equipment grounding conductor. Use a wire with a dedicated grounding wire and a ring terminal and connect to the equipment ground terminal block for grounding.

3.2 Tools & parts required for installation

Table 3-1 Tools & parts required for installation

Tool	Qty	Model	Size	Incl.	Remark
Mounting Bracket	1	All	222x173x9 mm	Yes	Fasten charge point to mounting surface
Holster ASSY	1	All	58x58x70 mm	Yes	Hold EV charging plug
Screw	4	All	Tapping: #12	Yes	Fasten Mounting Bracket & Holster
			Mechanical: M6	Yes	
	1	All	Mechanical: M6	Yes	Fasten charge point & Mount Bracket
Wire, Copper	3	All	2 AWG x 2, 8AWG x 1 (for ground wire)	No	
Heat Shrink Tube	3	All	2 AWG x 2, 8AWG x 1 (for ground wire)	Yes	Protect wires & terminals. Recommended wire Color: Red, Black, Green (ground).
Terminal	3	All	2 AWG x 2, 8AWG x 1 (for ground wire)	Yes	Connect input wires to the terminal block
Conduit	1	All	1 inch	No	Protect power



					cable
Philips Screwdriver	1	All	PH3	No	
Torx Screwdriver	1	All	Security Bit T20	No	
Hexagon Socket	1	All	5/16	No	Tighten #12 Tapping screws
Torque Wrench	1	All	40 kgf-cm min	No	

3.3 Charge Point Installation

3.3.1 Disassemble top cover

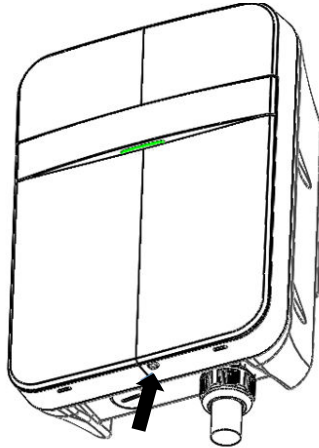


Figure 3-1 Loosen 1 pc M4 screw.



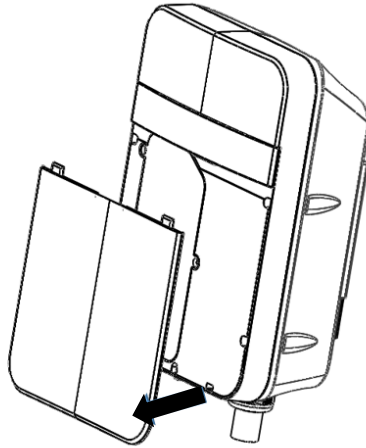


Figure 3-2 Use flat tip screwdriver to push snap then open front cover.

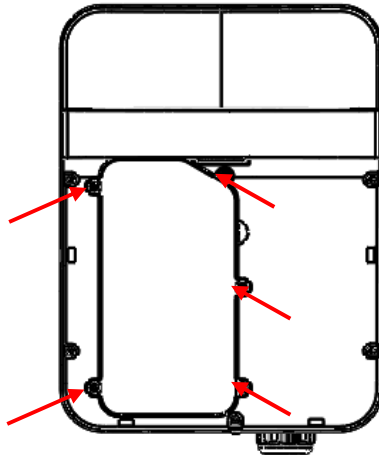


Figure 3-3 Loosen 5 pcs M4 screw then open install cover.

3.3.2 Secure the main body mounting bracket to the wall with appropriate screw.

Follow applicable accessibility requirements for the mounting position. The unit shall be stored or located at a sufficient height. For indoor site, it should not be lower than 18 inches (450 mm) and not higher than 4 feet (1.2m). For outdoor site, it should not be lower than 24 inches (600 mm) and not higher than 4 feet (1.2m). Refer to Article 625, NEC.

The mounting bracket has ten screw holes. If only two screws be used to fasten the mounting bracket, the screws should pass through the middle two screw holes of the mounting bracket. The other screw holes are reserved for the user.

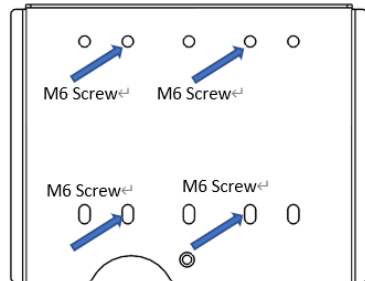
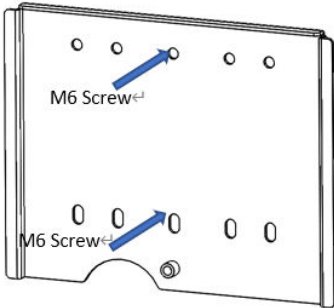


Figure 3-4 Fasten two screws for wall mount pedestal mount

Figure 3-5 Fasten above screws for wall mount

Screw sizing suggestion:

- A. For masonry walls, use M6 mechanical screws. (Commercially Available)
- B. For finished walls supported by wood studs, use #12 tapping screws. (Model Accessories)
- C. Please refer to the following torque. The actual torque is according to the wall material.

Screw	Torque	
	M6	25 kgf.cm min
#12	25 kgf.cm min	21.7 lbf-in min



3.3.3 Fasten charge point onto mounting bracket.

1. Put the charge point on the mounting bracket.
2. Fasten charge point on mounting bracket by tightening M6 screw.
3. Please refer to the following torque.

Screw	Torque	
M6	31 kgf.cm	26.9 lbf-in

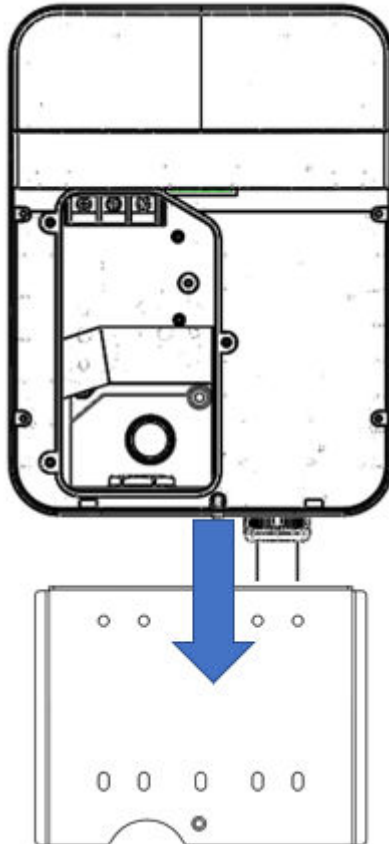


Figure 3-6 Charge point and mounting bracket

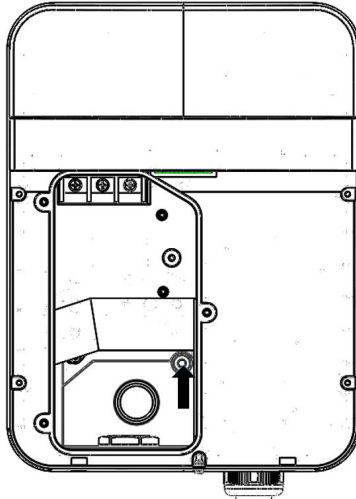


Figure 3-7 Tighten M6 screw

3.4 Input Power Cord Installation

1. Choose the appropriate conduit in accordance with all applicable state, local and National Electrical Codes and standards.

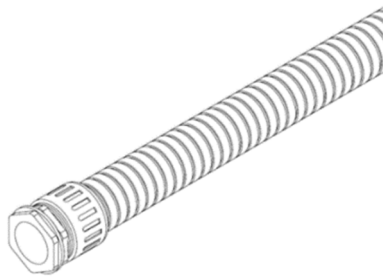


Figure 3-8 Conduit

2. Electrical wiring to the charge point.

2-1. Fold the wire end to pass through the conduit and insert them into the input hole (choose input direction 1 or 2 and open cap). Please fasten charge point onto mounting bracket if rear (2) conduit hole is used for install.

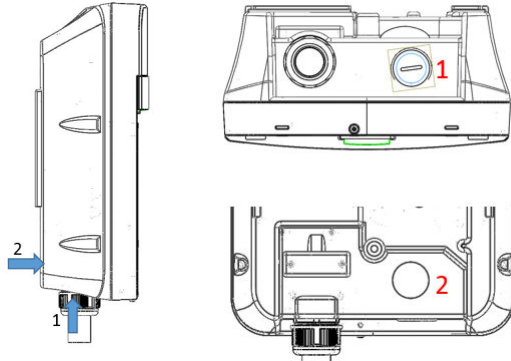


Figure 3-9 Cable input position

NOTE:

1. For bottom hole installation, please use 1 inch conduit to meets NEMA 3R standard.
2. For rear hole installation, please use an appropriate conduit (1 inch conduit is recommended) which meets the NEMA 3R standard.

2-2 Crimp copper ring lug to connect copper wire. The crimp point should be covered by heat shrink tube for protection.

Refer to local AHJ wiring requirements. (Typically, THHN, THWN-2, or XHHW-2)

Model	Terminal	Conductor	Rating
Basic/smart/intelligent Charger-80A	L1, L2	2 AWG	90C copper wire
	G	8 AWG	





Figure 3-10 Copper terminal, heat shrink tube and copper wire

2-3. Fasten the copper wire on the corresponding terminal block. The wiring instruction is printed in front of the terminal block (L1/L2/G).

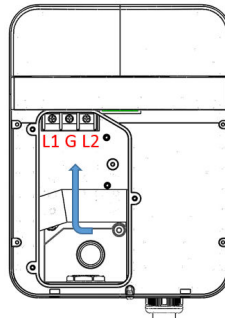


Figure 3-11 Input wiring position

2-4. Use the following torque to connect the wire terminal to the terminal block.

Screw	Torque	
M6	31 kgf·cm	26.9 lbf·in



CAUTION: To reduce the risk of fire, connect only to a circuit provided with the required branch circuit overcurrent protection in accordance with the National Electrical Code, ANSI/NFPA 70, and the Canadian Electrical Code, Part I, C22.2.

Maximum Charger Current Setpoint*	80A	72A	64A	56A	48A	40A	32A	24A	16A	12A
Recommended (Typical) Circuit Breaker Rating	100 A	90A	80A	70A	60A	50A	40A	30A	20A	15A

See Section 3.5 for details on charger derate settings.





CAUTION: If this unit is installed outdoors, the outlet must be rated for outdoor installation. The outlet must be installed properly to maintain the proper NEMA rating of the enclosure.

2-5. Lock the conduit on the enclosure. Please refer to the following torque.

Conduit	Torque	
1"	35 kgf·cm	30.36 lbf·in

2-6. Reassemble cover and Front cover then Fasten M4 screw.

Screw	Torque	
M4	15 kgf·cm	13 lbf·in

3.5 Adjust Max. Output Current

Please contact Ford Pro for max output current adjusting.

3.6 Holster Installation

1. Separate the holster from the hook.

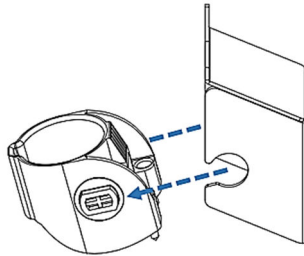


Figure 3-13 Separate the holster



2. Fasten the hook on the wall with appropriate screws.

- 2-1. For finished walls supported by wood studs, use 2pcs screws (#12 tapping or M6).
- 2-2. The recommend torque is 25 kgf.cm (21.7 lbf-in).

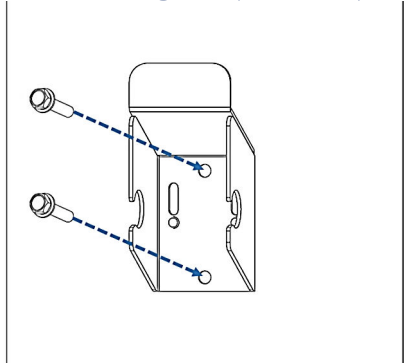


Figure 3-14 Secure the hook

3. Make the holster face up and combine with the hook.

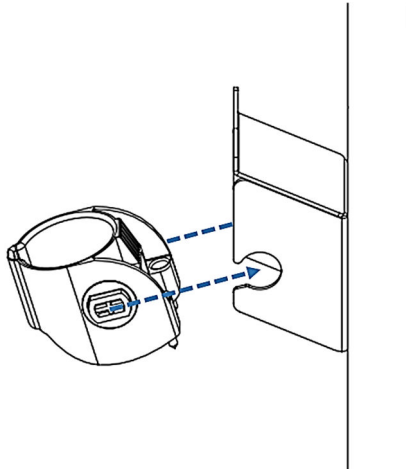


Figure 3-15 Secure the holster



4. Rotate the holster down.

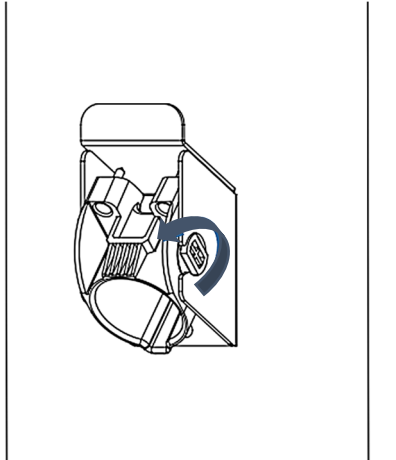


Figure 3-16 Rotate the holster

5. Keep the holster in this state and tighten screws.

5-1. The recommend torque is 6 kgf.cm (5.2 lbf-in). The screws make the holster ASSY firm.

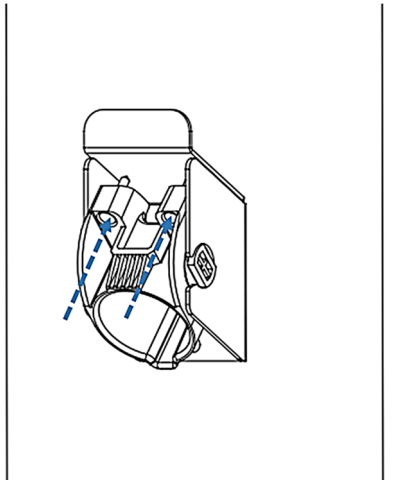


Figure 3-17 Tighten screws



6. Place EV charging plug on the holster.

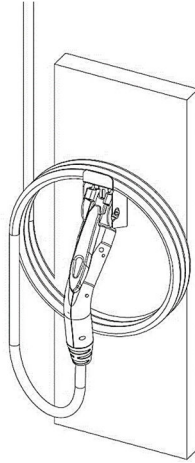


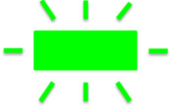
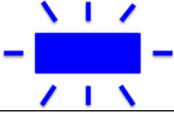


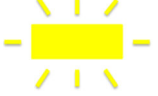


Figure 3-18 Place EV charging plug

4. Operations

4.1 Charging status indicators

Table 4-1 Charging status indicators

LED Indicator	Description	Definition
	Not illuminated	Power Off
	Green Steady	Ready
	Green Flashing	Flashing green (Fast): Authorized, wait for EV Connect Flashing green (Slow): Suspend (Occupying)
	Blue Flashing	Flashing blue (Slow): Charging
	Red Steady	Unrecoverable Fault
	Red Flashing	Recoverable Fault
	Yellow Flashing	Booting / Firmware Upgrading / Out of Service



4.2 Charging an Electric Vehicle (EV)

Choices of start charging are as below:

4.2.1 Plug and Charge

1. Insert the charging plug into the EV
2. Charging session started

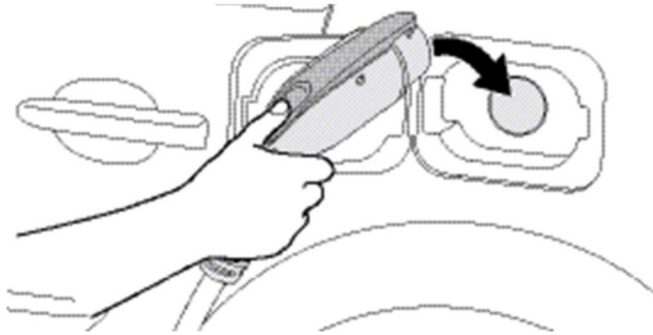


Figure 4-2 Connect the charging plug to the EV

4.3 Stop charging

1. Unplug any time (disconnect the charging plug from EV to stop charging session)
2. Session ended (please return the connector to the holster)

4.3.1 Auto restart

When a charging session is interrupted due to a temporary error condition, the charge point will automatically restart charging when the cause of the temporary error condition returns to normal. Status indicator lights remain flashing RED until the error condition is resolved.

- Temporary error conditions included: Over Current, Over Voltage, Under Voltage, and Over Temperature.



- For Over Current conditions: The charging session will be stop while OC occurs. After recovery from OC for 30 seconds, the charge point will automatically restart charging for three times.
- When charging session stopped due to CCID trip, the charge point will try to restart after 15 minutes for 3 times.

4.3.2 Power outage recovery

When power resumes after an outage, the charge point restarts automatically with a delay ranging from 120 to 720 seconds. The delay is designed to avoid impacting the utility grid when multiple charge points are in the same area attempting to resume charging simultaneously.

4.4 General care

The exterior of the charge point is designed to be waterproof and dust proof. To ensure proper maintenance of the charge point, follow these guidelines:

- Despite the water resistance of the enclosure, it is preferred to not direct streams of water at the unit. when cleaning it, clean with a soft, damp cloth.
- Make sure the charging plug is put back in the holster after charging to avoid damage.
- Ensure the power cable is stored on the cable hanger after use to avoid damage.
- If the power cable or the charging plug is damaged, please contact Customer Support for replacement.

4.5 Customer support

Please visit fordpro.com for additional customer support.

4.6 Limited Warranty

The Limited Warranty associated with your charger is subject to certain exception and exclusions. For the terms of the limited warranty please visit FordPro.com.



CONSIGNES DE SÉCURITÉ IMPORTANTES

Ce document contient des instructions et des avertissements qui doivent être respectés lors de l'installation et de l'utilisation de l'équipement d'alimentation du véhicule électrique (EVSE). Avant d'installer ou d'utiliser l'EVSE, lisez l'intégralité de ce document ainsi que les mentions AVERTISSEMENT et ATTENTION qui y figurent.

Consignes de sécurité

Les symboles utilisés ont la signification suivante :



AVERTISSEMENT : RISQUE DE BLESSURES CORPORELLES



AVERTISSEMENT : RISQUE DE CHOC ÉLECTRIQUE



AVERTISSEMENT : RISQUE D'INCENDIE OU D'EXPLOSION



ATTENTION : RISQUE D'ENDOMMAGEMENT DE L'APPAREIL

- Les informations fournies dans ce manuel n'exonèrent en aucun cas l'utilisateur de la responsabilité de respecter tous les codes ou normes de sécurité en vigueur.
- Ce document fournit des instructions pour l'équipement d'alimentation du véhicule électrique (EVSE) et ne doit pas être utilisé pour tout autre produit.



Clause de réparation et d'entretien

- Seuls les électriciens agréés peuvent réparer ou entretenir cet équipement. Il est interdit aux utilisateurs généraux de l'installer, de le réparer et/ou de l'entretenir.
- Désactivez l'alimentation d'entrée et vérifiez l'absence de tension avant l'installation (pas d'énergie électrique), la réparation et/ou l'entretien cet équipement.

Déclaration de la Commission fédérale des communications sur les interférences

Cet équipement est conforme à la partie 15 des règles de la FCC. Son fonctionnement est soumis aux deux conditions suivantes : (1) Cet équipement ne doit pas causer d'interférences nuisibles, et (2) cet équipement doit accepter toute interférence reçue, y compris les interférences pouvant causer un fonctionnement indésirable.

Cet équipement a été testé et déclaré conforme aux limites d'un appareil numérique de classe B, conformément à la partie 15 des règles de la FCC. Ces limites sont conçues pour fournir une protection raisonnable contre les interférences nuisibles dans une installation résidentielle. Cet équipement génère, utilise et peut émettre de l'énergie de fréquence radio et, s'il n'est pas installé et utilisé conformément aux instructions, peut causer des interférences nuisibles aux communications radio. Cependant, il n'y a aucune garantie que des interférences ne se produiront pas dans une installation particulière. Si cet équipement cause des interférences nuisibles à la réception de la radio ou de la télévision, ce qui peut être déterminé en éteignant et en allumant l'équipement, l'utilisateur est encouragé à essayer de corriger les interférences par l'une ou plusieurs des mesures suivantes :

- Réorientez ou déplacez l'antenne de réception.
- Augmentez la distance entre l'équipement et le récepteur.
- Connectez l'équipement à une prise sur un circuit différent de celui auquel le récepteur est connecté.



- Consultez le revendeur ou un technicien radio/TV expérimenté pour obtenir de l'aide.

Les changements ou modifications non couverts par ce guide doivent être approuvés par écrit par le service d'ingénierie réglementaire du fabricant. Les changements ou modifications effectués sans approbation écrite peuvent annuler l'autorisation de l'utilisateur à exploiter cet équipement.

Déclaration d'Industrie Canada :

Le présent appareil est conforme aux CNR d'ISED applicables aux appareils radio exempts de licence. L'exploitation est autorisée aux deux conditions suivantes: (1) le dispositif ne doit pas produire de brouillage préjudiciable, et (2) ce dispositif doit accepter tout brouillage reçu, y compris un brouillage susceptible de provoquer un fonctionnement indésirable.

Déclaration d'exposition aux radiations:

Cet équipement est conforme aux limites d'exposition aux rayonnements ISED établies pour un environnement non contrôlé. Cet équipement doit être installé et utilisé à plus de 20 cm entre le radiateur et votre corps.



AVERTISSEMENT : RISQUE DE BLESSURES CORPORELLES

Cet équipement est destiné uniquement aux véhicules de charge qui ne nécessitent pas de ventilation pendant la charge. Veuillez consulter le manuel du propriétaire de votre véhicule pour déterminer les exigences en matière de ventilation.



AVERTISSEMENT : RISQUE DE BLESSURES CORPORELLES

N'utilisez pas de câbles d'extension pour augmenter la longueur du câble de charge. La longueur maximale est limitée à 25 pieds par la National Fire Protection Agency.



AVERTISSEMENT : RISQUE DE BLESSURES CORPORELLES

Ne pas traîner cet équipement par le câble d'alimentation.



**AVERTISSEMENT : RISQUE DE CHOC ÉLECTRIQUE**

Les précautions de base doivent toujours être respectées lors de l'utilisation de produits électriques, notamment les suivantes :

- Lire toutes les instructions avant d'utiliser cet équipement.
- Cet équipement doit être surveillé lorsqu'il est utilisé en présence d'enfants.
- Ne pas mettre les doigts dans le connecteur EV.
- N'utilisez pas cet équipement si le cordon d'alimentation flexible ou le câble EV est effiloché, si l'isolation est rompue ou s'il présente d'autres signes de dommages.
- N'utilisez pas cet équipement si le boîtier ou le connecteur EV est cassé, fissuré, ouvert ou présente tout autre signe d'endommagement.

**AVERTISSEMENT : RISQUE DE CHOC ÉLECTRIQUE**

Une connexion incorrecte du conducteur de terre de l'équipement peut entraîner un risque de choc électrique. Vérifiez auprès d'un électricien ou d'un réparateur qualifié si vous avez des doutes quant à la mise à la terre correcte du produit.

**AVERTISSEMENT : RISQUE DE CHOC ÉLECTRIQUE**

Ne pas toucher les pièces électriques sous tension. Des connexions incorrectes peuvent provoquer un choc électrique.

**AVERTISSEMENT : RISQUE DE CHOC ÉLECTRIQUE**

Ne pas retirer le couvercle ou tenter d'ouvrir le boîtier. Aucune pièce réparable par l'utilisateur ne se trouve à l'intérieur. Confiez l'entretien à un technicien qualifié.

**AVERTISSEMENT : RISQUE D'INCENDIE OU D'EXPLOSION**

Pour réduire le risque d'incendie, remplacez uniquement par un fusible de même type et de même calibre.

**AVERTISSEMENT : RISQUE D'INCENDIE OU D'EXPLOSION**

Cet équipement comporte des pièces internes qui produisent des arcs ou des étincelles et ne doit pas être exposé à des vapeurs inflammables. Il ne doit pas être installé dans une zone encastrée ou sous le niveau du sol. Fonction de réinitialisation automatique fournie.



AVERTISSEMENT : RISQUE D'INCENDIE OU D'EXPLOSION
N'utilisez pas cet appareil avec une rallonge.



ATTENTION : RISQUE D'ENDOMMAGEMENT DE L'APPAREIL
N'utilisez pas cet équipement à des températures situées en dehors de sa marge de tolérance de -35°C à +55°C (-31°F à +131°F).



ATTENTION : RISQUE D'ENDOMMAGEMENT DE L'APPAREIL
Conservez cet équipement dans un endroit propre et sec à des températures comprises entre -40°C et +80°C (-40°F à +176°F).



ATTENTION : RISQUE D'ENDOMMAGEMENT DE L'APPAREIL
Ne pas dépasser un maximum de 150V à la terre.

CONSERVER CES INSTRUCTIONS



1 Introduction

Ce manuel d'utilisation s'applique au « Chargeur CA Niveau 2 80A pour véhicules électriques rechargeables (PEV) et véhicules électriques à batterie (BEV) ».

!!! Toute modification non autorisée annulera la garantie du fabricant!!!

1.1 Visualisation du produit



Schéma 1-1

Vue de face



Contenu de la boîte

À l'intérieur de la boîte, vous trouverez les accessoires suivants.

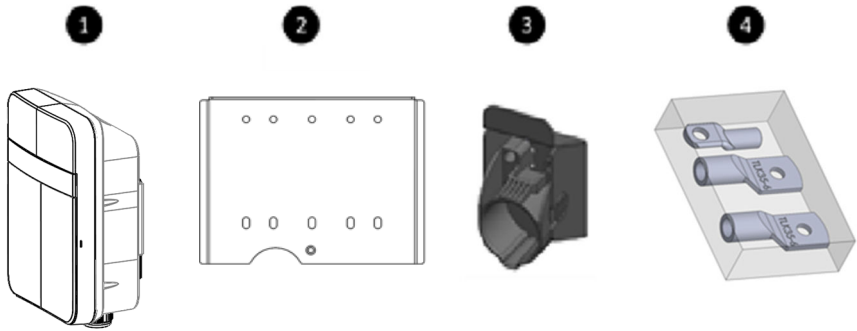


Schéma 1-2

Contenu de la boîte

Tableau 1-1 Accessoires dans la boîte

Item	Description	QTÉ	Remarque
1	Chargeur de base-80A Chargeur intelligent-80A	1	En fonction du contenu de votre commande
2	Support de montage	1	Fixé à l'arrière du point de charge
3	Étui ASSY	1	Avec crochet x1, étui x1 & vis à tête M4xL15 x2
4	Sac d'accessoires	1	#2 Cosse à anneau AWG x 2, #8 cosse à anneau AWG et vis machine M6 x1

Processus d'ouverture du carton

1. Ouvrir le carton et retirer la mousse EPE

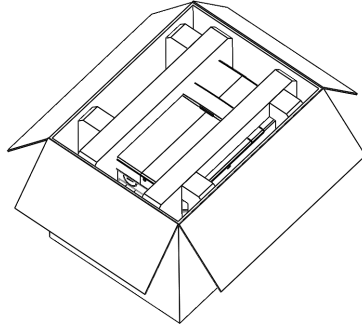


Schéma 1-3 Ouverture du carton

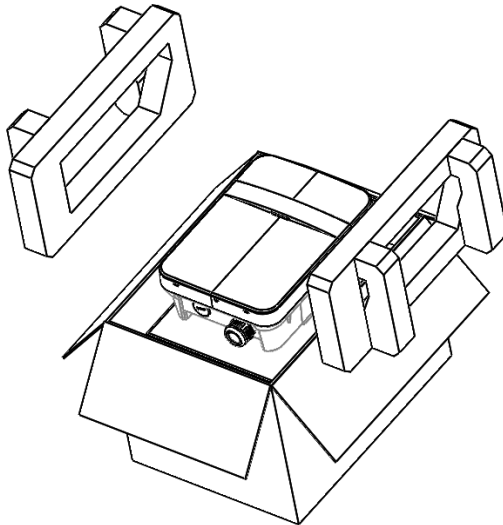


Schéma 1-4 Dispositif de point de charge

- Retirez le point de charge, puis retirez le support de montage avant de l'installer.

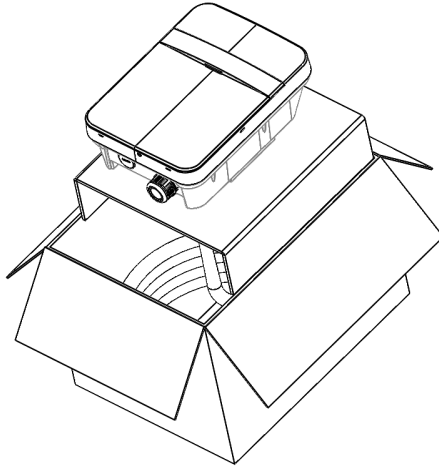


Schéma 1-5 Retirer le point de charge

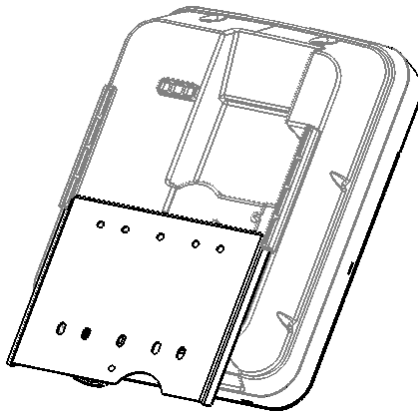


Schéma 1-6 Retirer le support de montage

2 Spécifications

2.1 Spécifications du produit

Tableau 2-1 Spécifications du produit

Item	80A
Application	Commercial
Voltage (Vac)	208/240VAC (-20% ~ +15%), Monophasé
Ligne à la terre électrique (Vac)	120V +/-10%
Fréquence (Hz)	60 Hz
Courant (Rms)	Max. 80 A
Connecteur de charge	SAE J1772 Type 1
Indications	<ul style="list-style-type: none"> • Vert fixe : Prêt • Vert clignotant (rapide) : Autorisé, attendez EV Connect • Vert clignotant (lent) : Suspension (Occupation) • Bleu clignotant (lent) : Chargement • Rouge fixe : Défaut irrécupérable • Rouge clignotant (lent) : Défaut récupérable • Jaune clignotant (lent) : Démarrage / Mise à jour du micrologiciel / Hors service <p>Remarque</p> <ul style="list-style-type: none"> • Flash rapide : durée d'activation 300 ms, durée de désactivation 200 ms, 2 Hz • Flash lent : durée d'activation 1200 ms, durée de désactivation 800 ms, 0,5 Hz
Wi-Fi	802.11 b/g/n
Ethernet	Oui (RJ45, CAT 5e)
Cellulaire	Connexion M2M (LTE CAT.M1 / CAT.NB IoT)
Protocole de données	OCPP 1.6
Temp. de fonctionnement	-35°C ~ 55°C (-31°F à 131°F)
Temp. de stockage	-40°C ~ 80°C (-40°F à 176°F)
Altitude maximale	3500 mètres au-dessus du niveau de la mer



Item	80A
Précision du compteur	±1%
Type de support	Support mural / Support de piédestal (en option)
Type de câblage	Câblé
Niveau de boîtier	NEMA 3R
Résistance à l'impact	IK10
Dimension (H x L x P)	14,1"x10,6"x5,5"
Gestion du portail Web	Oui
Console Management	Oui
Certification	UL 1998/2231/2594 FCC Partie 15B
	FCC Partie 15.247 (WLAN 2,4 GHz) Energy Star
	FCC Partie 22/24/27



3 Installation

3.1 Avant l'installation

3.1.1 Contrôle de sécurité

- Vérifiez l'absence de dommages dus au transport.
- Avant de connecter le produit à l'alimentation électrique, vérifiez que la tension et le courant nominal de l'alimentation correspondent aux détails de l'alimentation indiqués sur l'étiquette signalétique du produit.



ATTENTION : Débranchez l'alimentation électrique avant d'installer ou de réparer le point de charge. Le non-respect de cette consigne peut entraîner des blessures physiques ou endommager le système d'alimentation et le point de charge.



Conservez tous les matériaux d'emballage hors de portée des enfants - ces matériaux sont une source potentielle de danger, par exemple d'étouffement.



ATTENTION : Il est interdit d'utiliser des rallonges.

Le point de charge ne doit être installé que par un électricien agréé, conformément aux dispositions de la construction électrique locale et doit être conforme aux normes et codes électriques nationaux.

Avant d'installer le point de charge, assurez-vous d'avoir lu toutes les instructions de ce manuel et de bien comprendre son contenu.

Une protection appropriée est nécessaire lors du raccordement à un tableau de distribution principal. Les outils et pièces utilisés sont décrits dans la section « Outils et pièces nécessaires à l'installation ».

3.1.2 Instructions de mise à la terre

Le point de charge doit être mis à la terre par un système de câblage permanent ou un conducteur de mise à la terre. Utilisez un fil avec un fil de mise à la terre dédié et une borne annulaire et connecté au bloc de bornes de mise à la terre de l'équipement pour la mise à la terre.



3.2 Outils & pièces nécessaires à l'installation

Tableau 3-1 Outils & pièces nécessaires à l'installation

Outil	Q T É	Modèle	Taille	Inc.	Remarque
Support de montage	1	Tous	222x173x9 mm	Oui	Fixer le point de charge à la surface de montage
Étui ASSY	1	Tous	58x58x70 mm	Oui	Maintenir la prise de recharge EV
Vis	4	Tous	Tarudage : #12	Oui	Fixer le crochet & le support de montage
			Mécanique : M6	Oui	
	1	Tous	Mécanique : M6	Oui	Fixer le point de charge et le support de montage
Fil de cuivre	3	Tous	2 AWG x2 8 AWG x1 (terre)	Non	
Tube thermorétractables	3	Tous	2 AWG x2 8 AWG x1 (terre)	Oui	Protéger les câbles & les terminaux
Terminal	3	Tous	2 AWG x2 8 AWG x1 (terre)	Oui	Connecter les câbles d'entrée au bornier
Conduit	1	Tous	1 pouce	Non	Protéger le câble d'alimentation
Tournevis Philips	1	Tous	PH3	Non	
Tournevis Torx	1	Tous	T20 - type de sécurité	Non	
Douille hexagonale		Tous	5/16	Non	Serrer les vis taraudeuses #12
Clé dynamométrique	1	Tous	40 kgf-cm min	Non	



3.3 Installation du point de charge

3.3.1 Démontez le couvercle supérieur

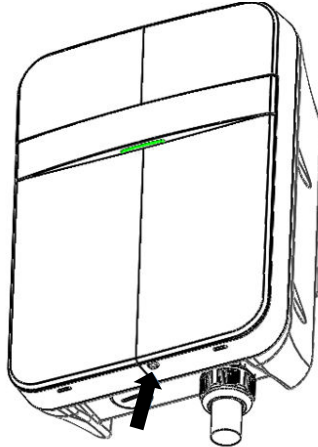


Schéma 3-1 Desserrez 1 vis M4.

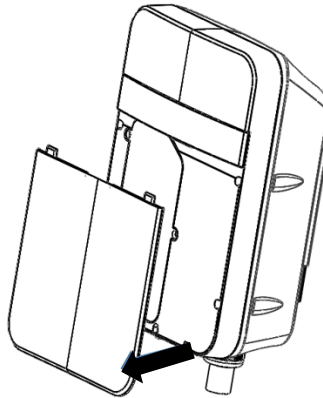


Schéma 3-2 Utilisez un tournevis à pointe plate pour pousser le bouton-pression et ouvrir le couvercle avant.

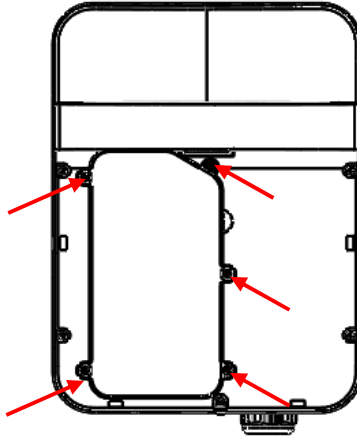


Schéma 3-3 Desserrez les 5 vis M4 et ouvrez le couvercle de l'installation.

3.3.2 Fixez le support de montage du corps principal au mur avec la vis appropriée.

Respectez les exigences d'accessibilité applicables à la position de montage. L'unité doit être stockée ou située à une hauteur suffisante. Pour un site intérieur, elle ne doit pas être inférieure à 450 mm (18 pouces) et ne doit pas dépasser 1,2 m (4 pieds) de hauteur. Pour un site extérieur, elle ne doit pas être inférieure à 600 mm (24 pouces) et ne doit pas dépasser 1,2 m (4 pieds) de hauteur. Reportez-vous à l'article 625, NEC.

Le support de montage comporte dix trous de vis. Si seulement deux vis sont utilisées pour fixer le support de montage, les vis doivent passer par les deux trous de vis du milieu du support de montage. Les autres trous de vis sont réservés à l'utilisateur.

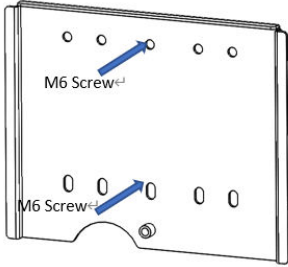


Schéma 3-4 Fixez les vis dans ces deux trous: vis pour le montage mural

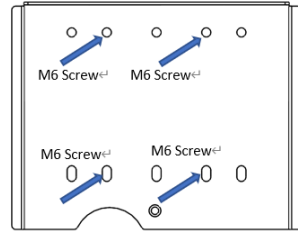


Schéma 3-5 Fixez les vis dans ces quatre trous pour le montage sur le piédestal

Suggestion de dimensions des vis :

- D. Pour les murs en maçonnerie, utilisez des vis mécaniques M6. (Disponible dans le commerce)
- E. Pour les murs finis soutenus par des montants en bois, utilisez des vis à tôle #12. (Modèle d'accessoires)
- F. Veuillez vous référer au couple suivant. Le couple réel dépend du matériau de la paroi.

Vis	Couple	
M6	25 kgf.cm min	21,7 lbf-in min
#12	25 kgf.cm min	21,7 lbf-in min

3.3.3 Fixez le point de charge sur le support de montage.

- 4-1. Placez le point de charge sur le support de montage.
- 4-2. Fixer le point de charge sur le support de montage en serrant la vis M6.
- 4-3. Veuillez vous référer au couple suivant.

Vis	Couple	
M6	30 kgf.cm	25,6 lbf-in



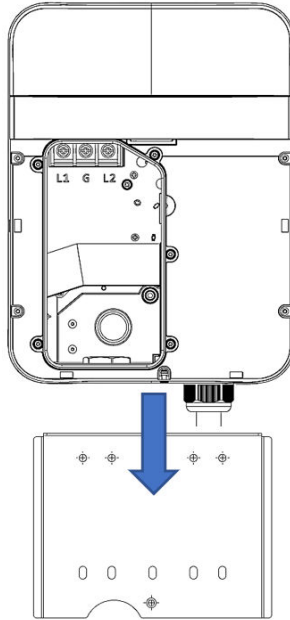


Schéma 3-6 Point de charge et support de montage

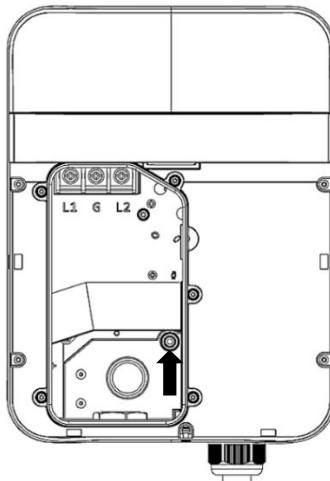


Schéma 3-7 Serrer la vis M6

3.4 Installation du câble d'alimentation d'entrée

1. Choisissez le conduit approprié conformément à tous les codes et normes électriques nationaux, locaux et nationaux applicables.

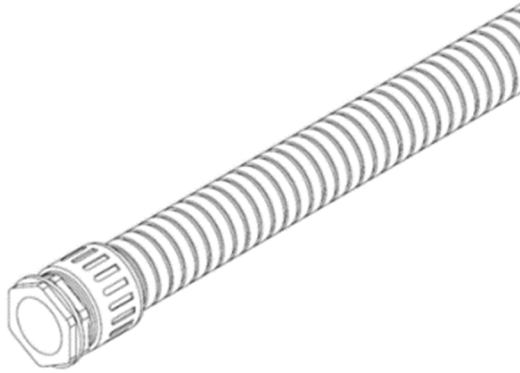


Schéma 3-8 Conduit.

2. Câblage électrique vers le point de charge.

2-1. Pliez l'extrémité du fil pour passer à travers le conduit et insérez-les dans le trou d'entrée (choisissez la direction d'entrée 1 ou 2 et ouvrez le capuchon). Veuillez fixer le point de charge sur le support de montage si le trou de conduit arrière (2) est utilisé pour l'installation.

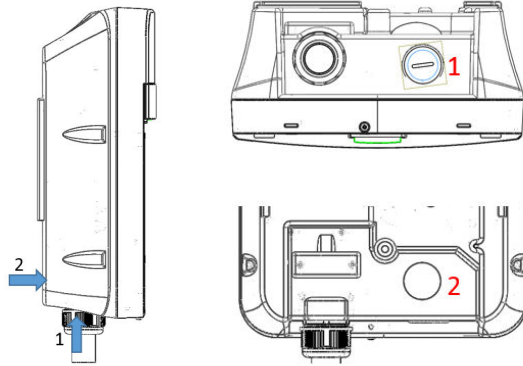


Schéma 3-9 Position de l'entrée du câble

2-2. Sertir la patte annulaire en cuivre pour connecter le fil de cuivre. Le point de sertissage doit être recouvert d'un tube thermo rétractable pour la protection. Reportez-vous aux exigences locales en matière de câblage AHJ. (Typiquement, THHN, THWN-2, ou XHHW-2)

Modèle	Terminal	Conducteur	Classement
Chargeur-80A	L1, L2	2 AWG	Fil de cuivre 90C
	G	8 AWG	

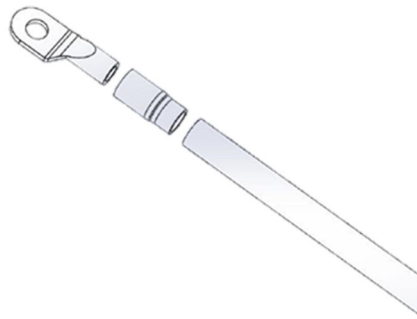


Schéma 3-10 Borne en cuivre, tube thermo rétractable et fil de cuivre.

2-3. Fixez le fil de cuivre sur le bornier correspondant. Les instructions de câblage sont imprimées devant le bornier (L1/L2/G).

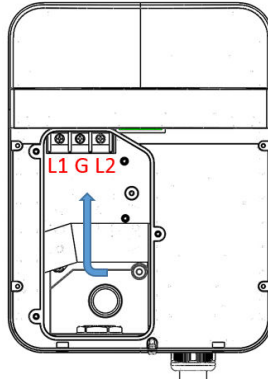


Schéma 3-11 Position du câblage d'entrée.

2-4. Utilisez le couple suivant pour connecter la borne du fil au bornier.

Vis	Couple	
M6	30 kgf-cm	25,6 lbf-in

ATTENTION : Pour réduire les risques d'incendie, connectez l'appareil uniquement à un circuit muni de la protection requise contre le surcourant du circuit de branchement, conformément au National Electrical Code, ANSI/NFPA 70, et au Code Canadien de l'électricité, Partie I, C22.2.



Point de consigne de courant maximal du chargeur*	80 A	72 A	64 A	56 A	48 A	40 A	32 A	24 A	16 A	12 A
Cote de disjoncteur recommandée (typique)	100 A	90 A	80 A	70 A	60 A	50 A	40 A	30 A	20 A	15 A



Voir la section 3.5 pour plus de détails sur les paramètres de débit du chargeur.

ATTENTION : Si cet appareil est installé à l'extérieur, la prise doit être conçue pour une installation extérieure. La prise doit être

installée correctement afin de conserver la classification NEMA du boîtier.

2-5. Verrouillez le conduit sur le boîtier. Veuillez vous référer au couple suivant.

Conduit	Couple	
1"	35 kgf-cm	30,36 lbf-in

2-6. Ré-assemblez le couvercle et le couvercle avant, puis fixez la vis M4.

Vis	Couple	
M4	15 kgf.cm	13 lbf-in

3.5 Ajuster le courant de sortie maximum

Veillez contacter Ford Pro pour offrir un support de débit de courant à distance.

3.6 Installation de l'étui

1. Séparez l'étui du crochet.

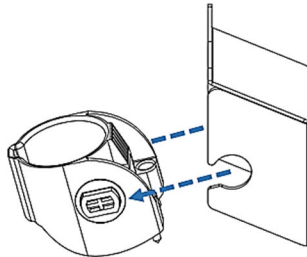


Schéma 3-13 Séparer l'étui

2. Fixez le crochet au mur à l'aide de vis appropriées.

- 2-1. Pour les murs finis soutenus par des montants en bois, utilisez 2 vis (taraudage #12 ou M6).
- 2-2. Le couple recommandé est de 25 kgf.cm (21,7 lbf-in).

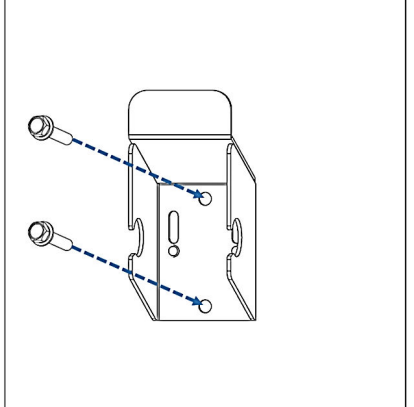


Schéma 3-14 Fixer le crochet

3. Mettez l'étui face à vous et combinez avec le crochet.

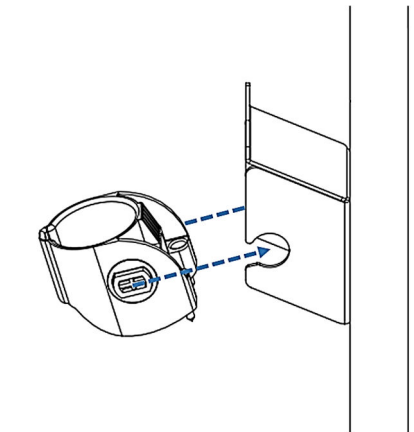


Schéma 3-15 Fixer l'étui

4. Faites pivoter l'étui complètement vers le bas.

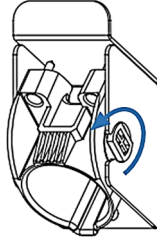


Schéma 3-16 Faites pivoter l'étui

5. Gardez l'étui dans cet état et serrez les vis à fond.

5-1. Le couple recommandé est de 6 kgf.cm (5,2 lbf-in). Les vis renforcent la combinaison.

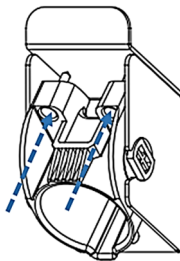


Schéma 3-17 Serrer les vis

6. Placez la prise de charge EV sur l'étui.

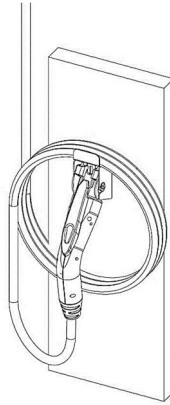


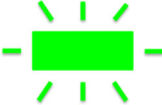






Schéma 3-18 Placez la prise de charge EV

4 Opérations

4.1 Indicateurs de statut de charge

Tableau 4-1 Indicateurs de statut de charge

Indicateur LED	Description	Définition
	Non éclairé	Mise hors tension
	Vert fixe	Prêt
	Vert clignotant	Vert clignotant (rapide) : Autorisé, attendez EV Connect Vert clignotant (lent) : Suspension (Occupation)
	Bleu clignotant	Clignotement bleu (lent) : Chargement
	Rouge fixe	Défaut irrécupérable
	Rouge clignotant	Défaut récupérable
	Jaune clignotant	Démarrage / Mise à jour du micrologiciel / Hors service

4.2 Chargement d'un véhicule électrique (EV)

Les choix de démarrage de la charge sont les suivants :

4.2.1 Branchez et chargez

1. Insérez la fiche de charge dans le EV
2. La session de charge a commencé

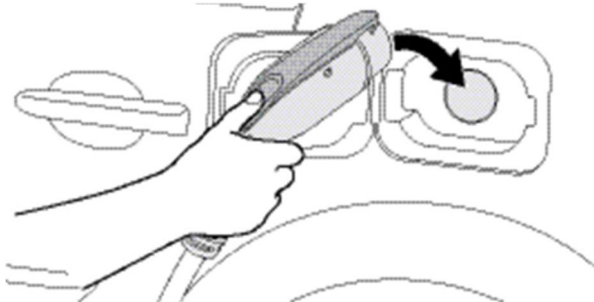


Schéma 4-2 Branchez la prise de charge au EV

4.3 Arrêtes' de charger

1. Débrancher à tout moment (débrancher la prise de charge du EV pour arrêter la session de charge)
2. Session terminée (veuillez remettre le connecteur dans l'étui)

4.3.1 Redémarrage automatique

Lorsqu'une session de charge est interrompue en raison d'une condition d'erreur temporaire, le point de charge redémarre automatiquement la charge lorsque la cause de la condition d'erreur temporaire redevient normale. Les voyants de statut continuent de clignoter en ROUGE jusqu'à ce que la condition d'erreur soit résolue.



- Les conditions d'erreur temporaires comprennent : Surintensité, surtension, sous-tension et surchauffe.
- Pour les conditions de surintensité : La session de charge sera interrompue lorsque la surintensité se produit. Après 30 secondes de récupération, le point de charge redémarre automatiquement la charge à trois reprises.
- Lorsque la session de charge s'arrête en raison d'un déclenchement du CCID, le point de charge essaiera de redémarrer après 15 minutes, et ce 3 fois.

4.3.2 Récupération en cas de panne d'électricité

Lorsque le courant revient après une panne, le point de charge redémarre automatiquement avec un délai allant de 120 à 720 secondes. Ce délai est conçu pour éviter tout impact sur le réseau électrique lorsque plusieurs points de charge se trouvent dans la même zone et tentent de reprendre la charge simultanément.

4.4 So insgénéraux

L'extérieur du point de charge est conçu pour être étanche à l'eau et à la poussière. Pour assurer un entretien correct du point de charge, suivez ces directives :

- Malgré la résistance à l'eau du boîtier, il est préférable, lors du nettoyage, de ne pas diriger de jet d'eau sur l'appareil. Nettoyez-le avec un chiffon doux et humide.
- Assurez-vous que la fiche de charge est remise dans l'étui après la charge pour éviter tout dommage.
- Assurez-vous que le câble d'alimentation est stocké sur le cintre du câble après utilisation pour éviter les dommages.
- Si le câble d'alimentation ou la prise de charge est endommagé, veuillez contacter le support client pour le remplacement.



4.5 Support client

Veillez visiter fordpro.com pour obtenir un support client supplémentaire.

4.6 Garantie limitée

La Garantie limitée (« Garantie limitée ») associée à votre chargeur est soumise à certaines exceptions et exclusions. Pour les termes de la garantie limitée, veuillez visiter FordPro.com.



