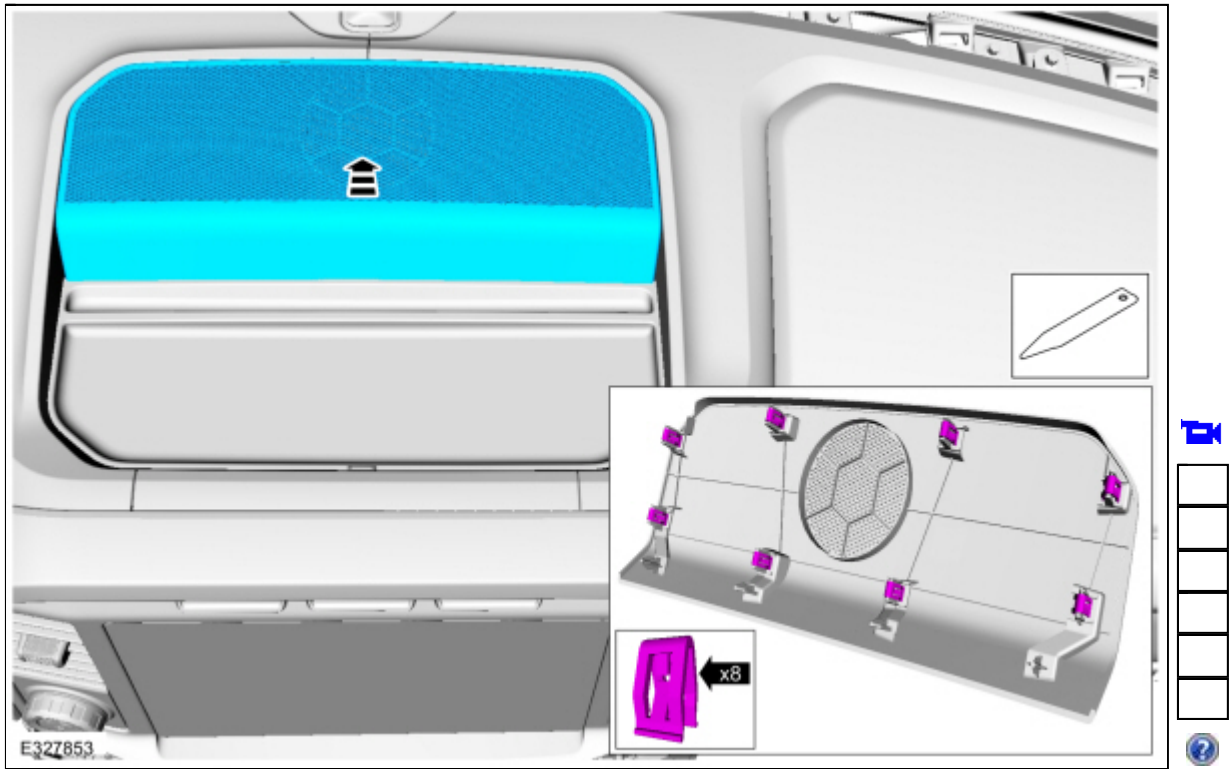
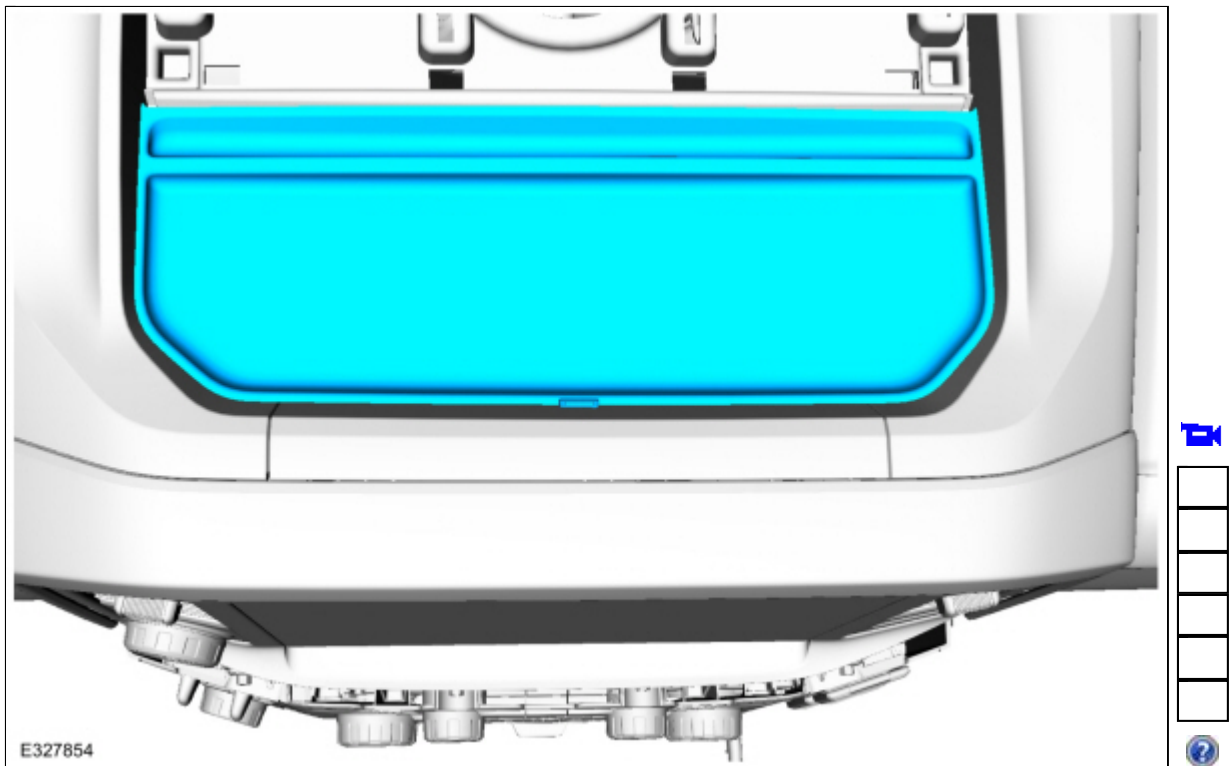


7. Release the clips and remove the speaker grille.
Use the General Equipment: Interior Trim Remover

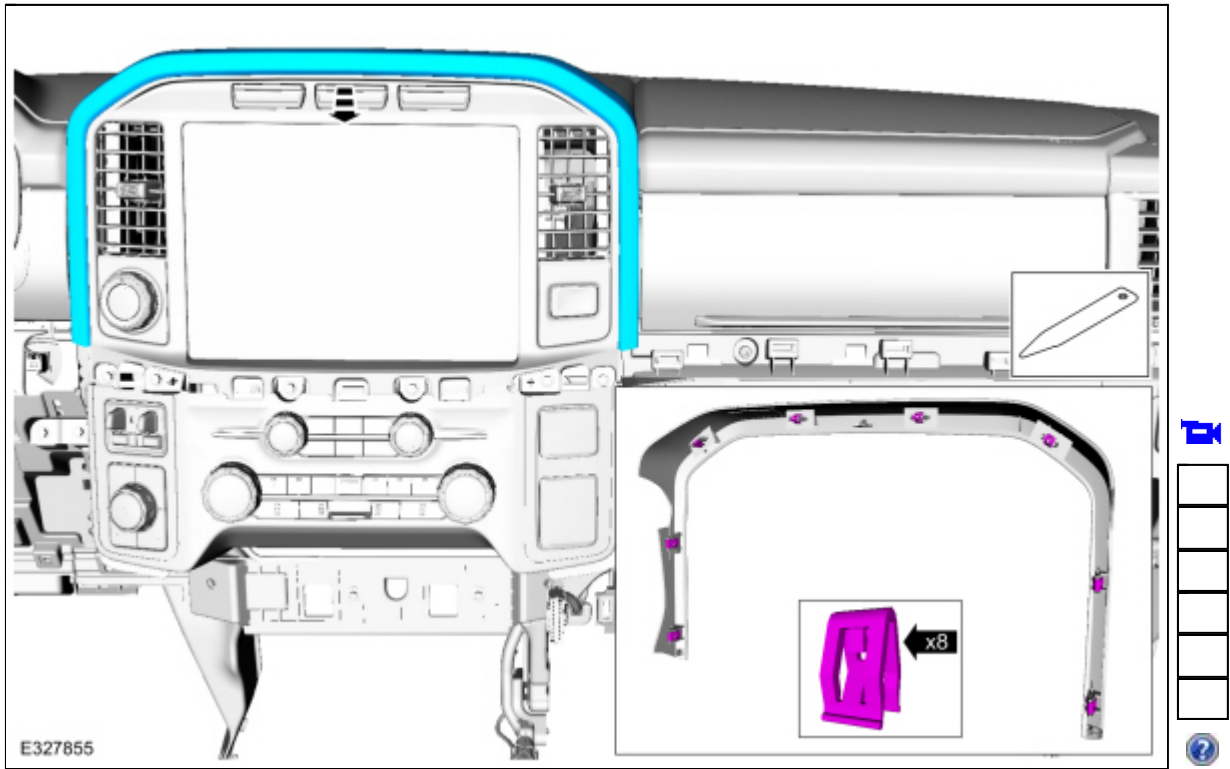


8. **NOTE:** *If equipped.*

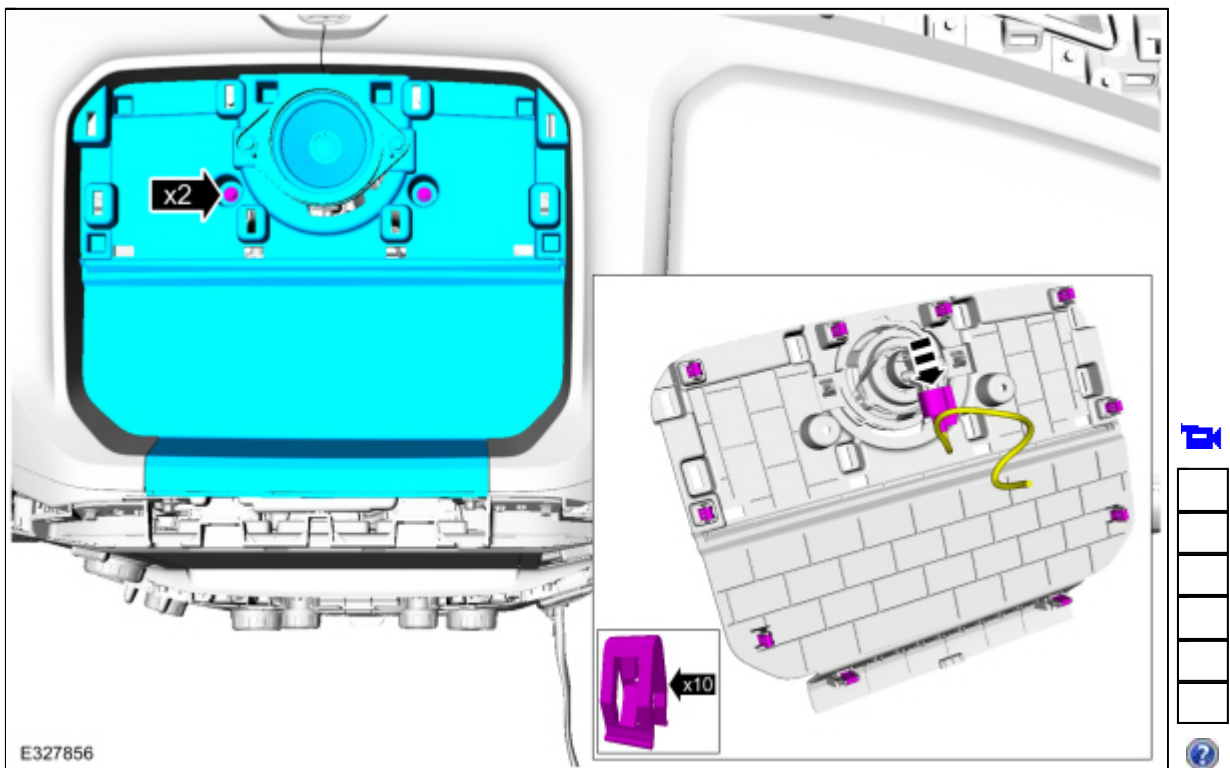
Remove the rubber pad.



9. Release the clips and remove the trim panel.
Use the General Equipment: Interior Trim Remover



10. Remove the bolts, release the clips and remove the trim panel.
• Disconnect the electrical connector.
Torque: 22 lb.in (2.5 Nm)



Instrument Panel Upper Section

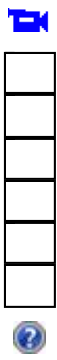
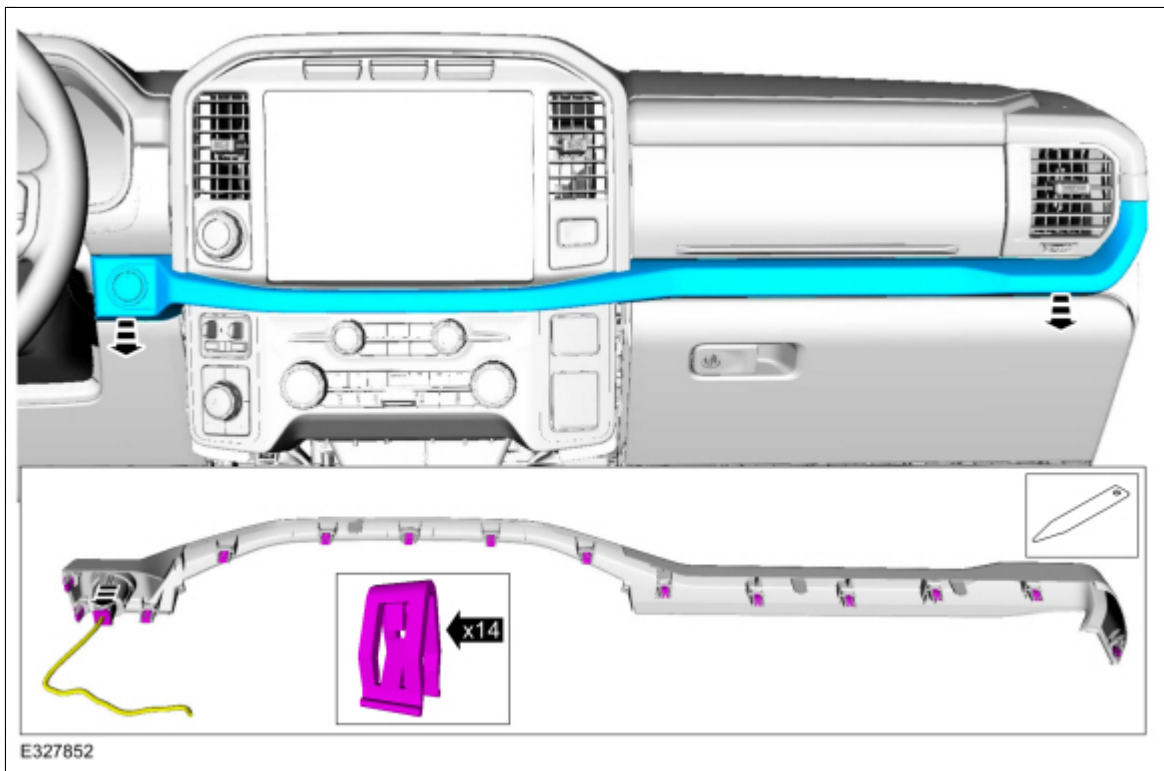
Special Tool(s) / General Equipment

Interior Trim Remover

Removal

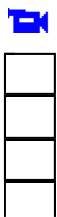
NOTE: Removal steps in this procedure may contain installation details.

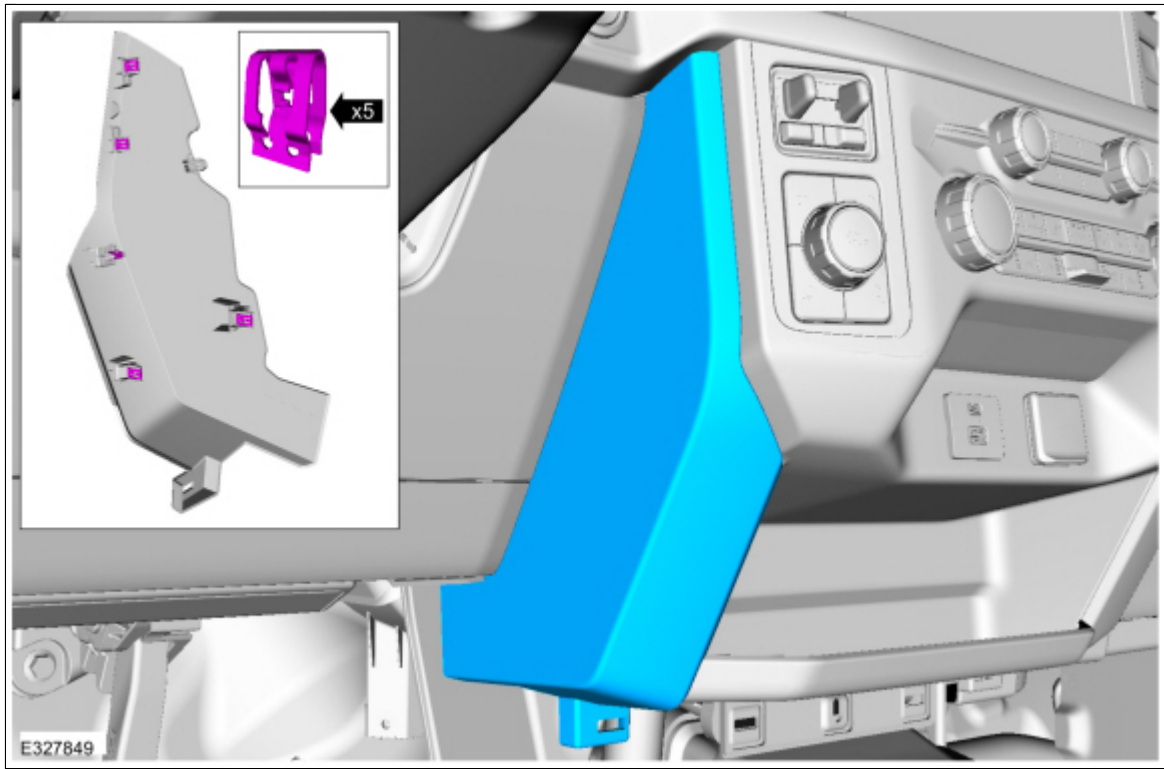
1. Remove the instrument panel.
Refer to: [Instrument Panel](#) (501-12 Instrument Panel and Console, Removal and Installation).
2. Release the clips and remove the center finish trim.
 - Disconnect the electrical connector.
 - Use the General Equipment: Interior Trim Remover



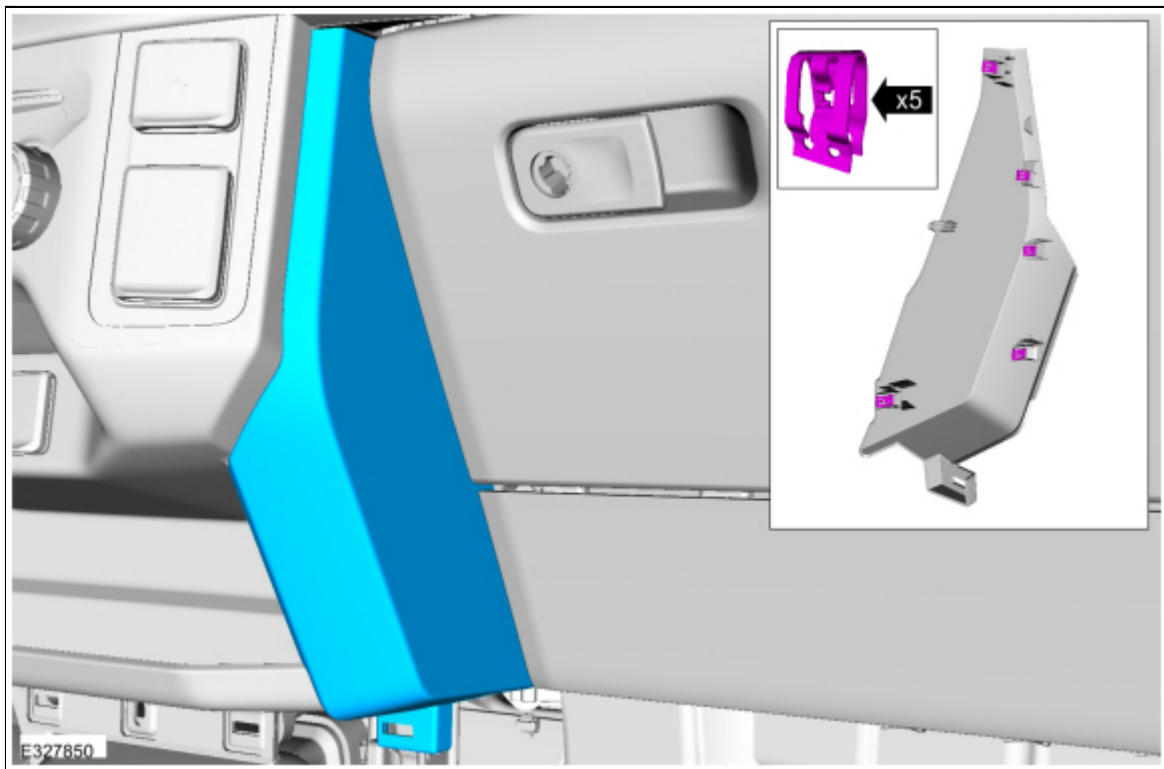
Vehicles without floor console

3. Release the clips and remove the LH center trim panel.

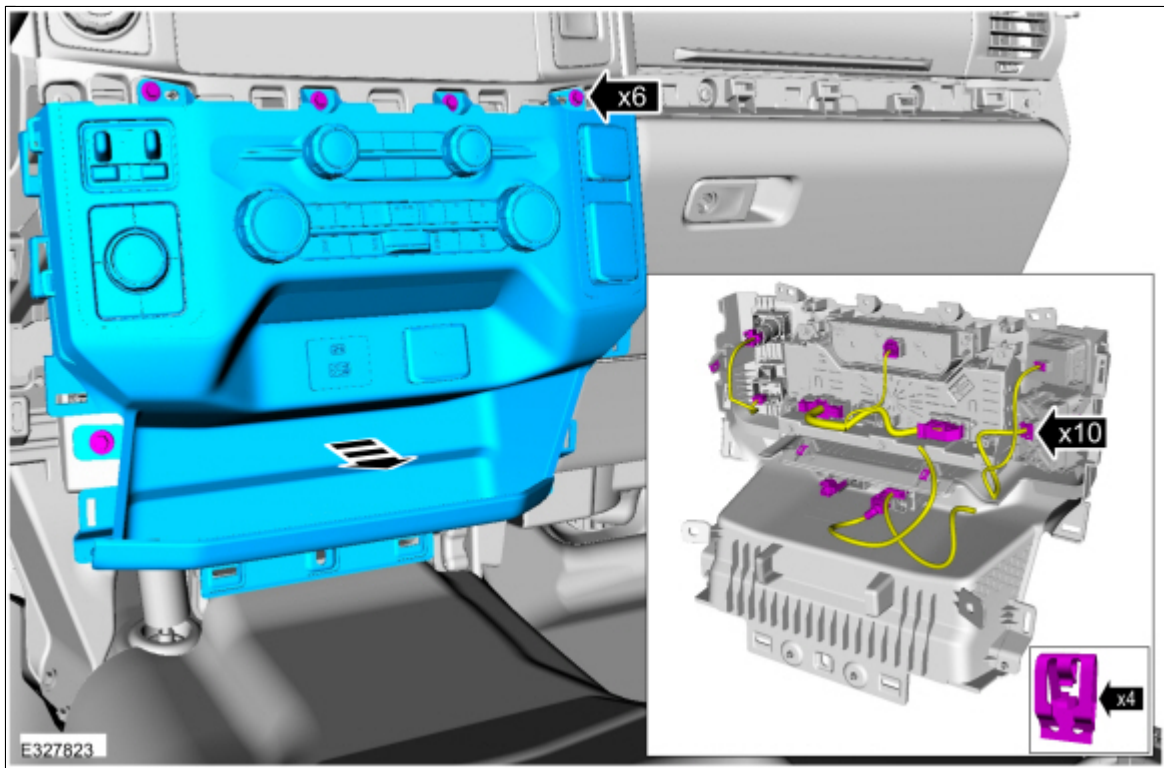




4. Release the clips and remove the RH center trim panel.



5. Remove the bolts and the FCIM.
 - Disconnect the electrical connectors.
 - Torque: 22 lb.in (2.5 Nm)*



All vehicles

6. Remove the bolts and the FCIM.
 - Disconnect the electrical connectors.

Torque: 22 lb.in (2.5 Nm)

