

YOUR CURRENT VEHICLE

2022 Ford F-150

Underhood Storage Compartment - Electric

<i>501-02 Front End Body Panels</i>	<i>2022 F-150</i>
<i>Removal and Installation</i>	<i>Procedure revision date: 05/12/2022</i>

Underhood Storage Compartment - Electric

Removal

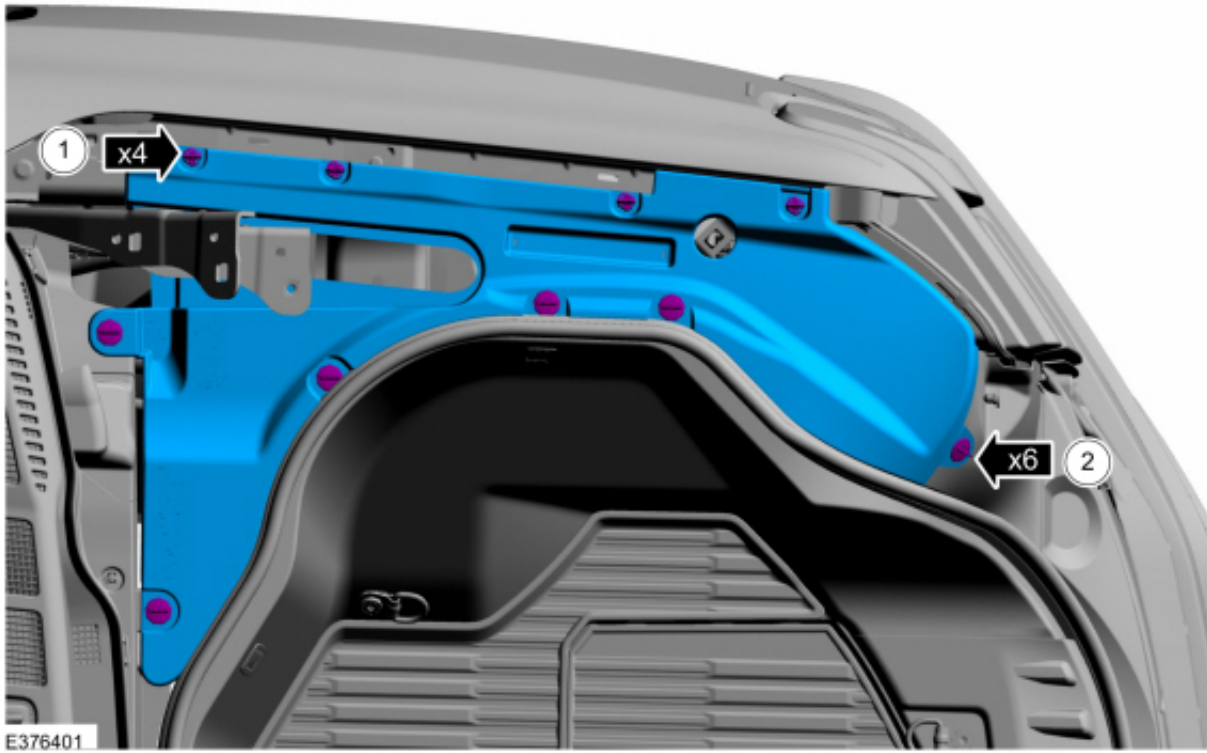
NOTE

Removal steps in this procedure may contain installation details.

1. NOTE

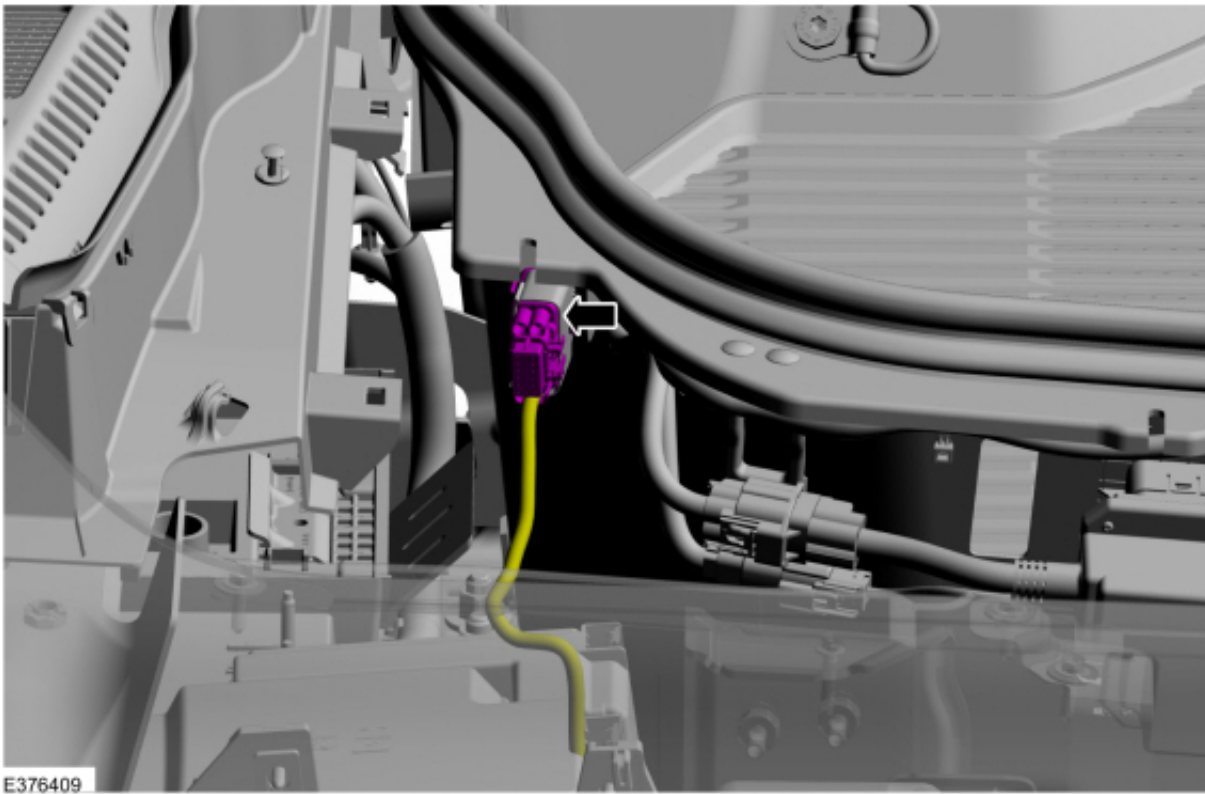
On both sides.

Remove the trim pins and the underhood front cargo cover.



[Click here to learn about symbols, color coding, and icons used in this manual.](#)

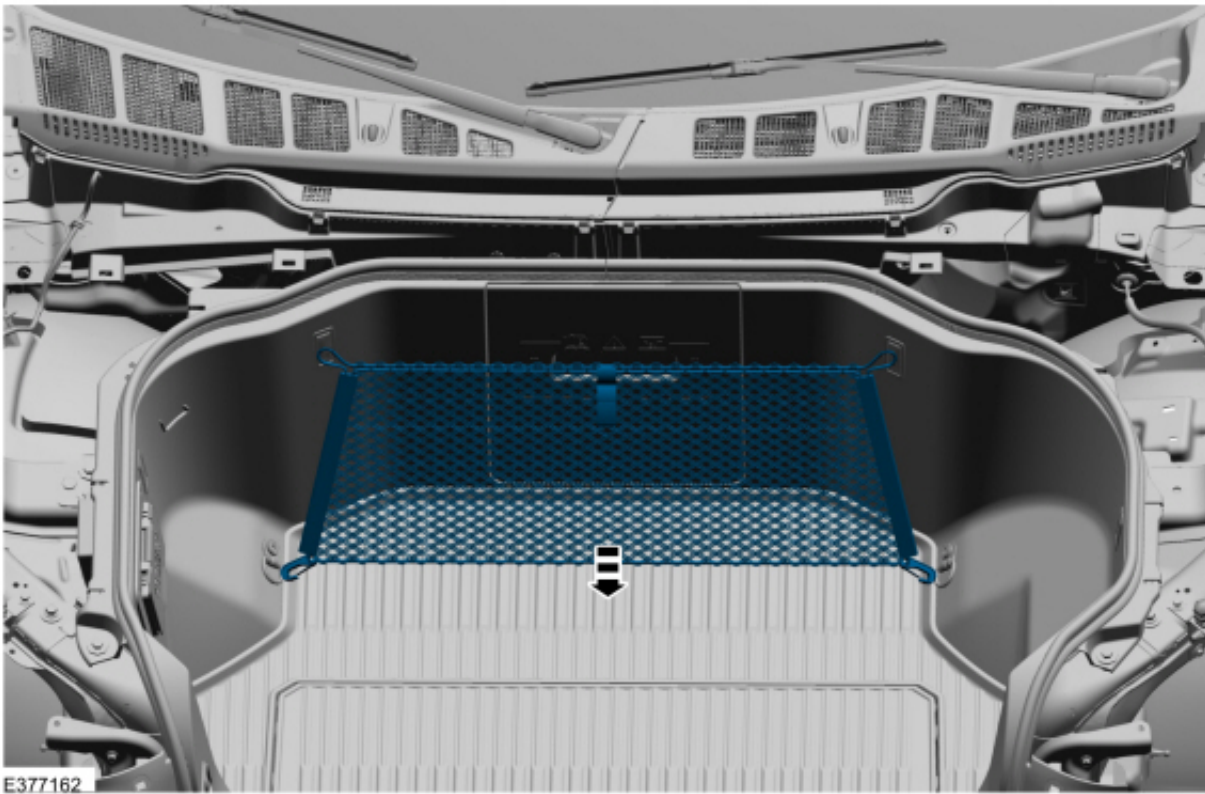
2. Disconnect the electrical connector.



[Click here to learn about symbols, color coding, and icons used in this manual.](#)

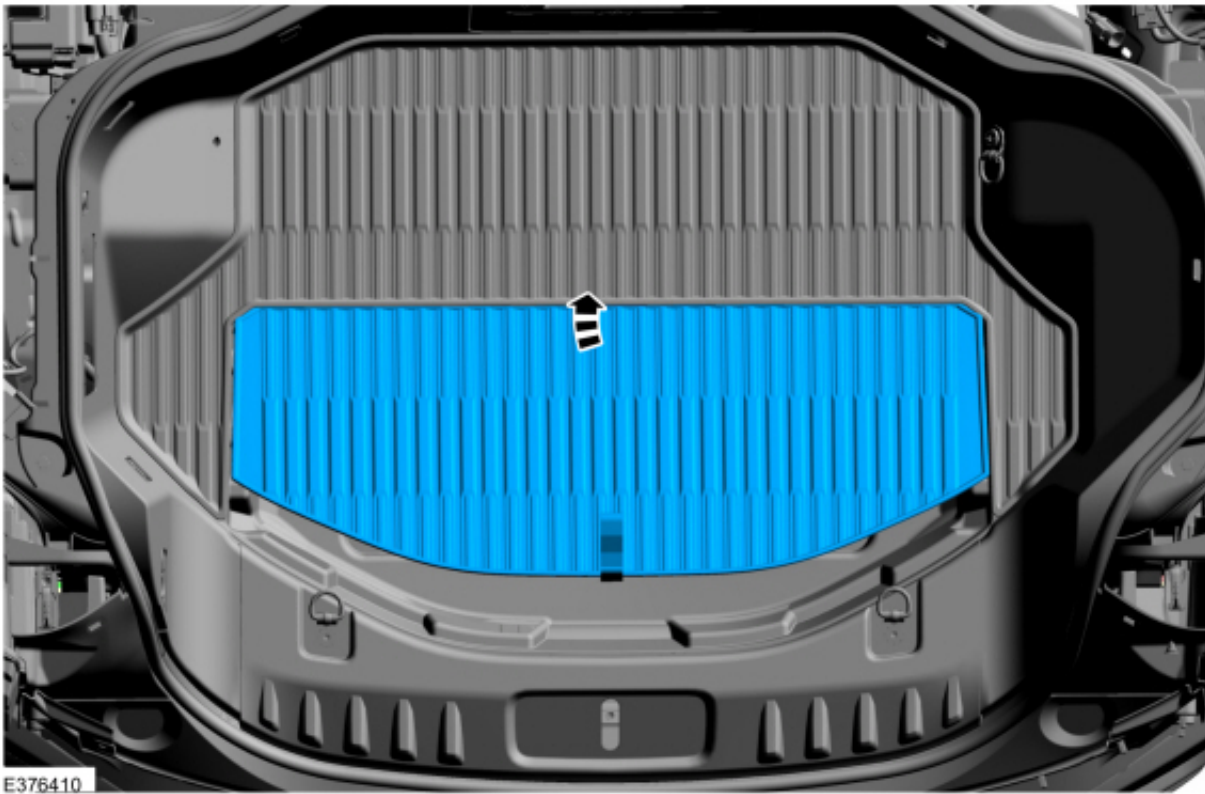
3. If equipped

Remove the luggage hold down net.



[Click here to learn about symbols, color coding, and icons used in this manual.](#)

4. Remove the load compartment floor storage cover.



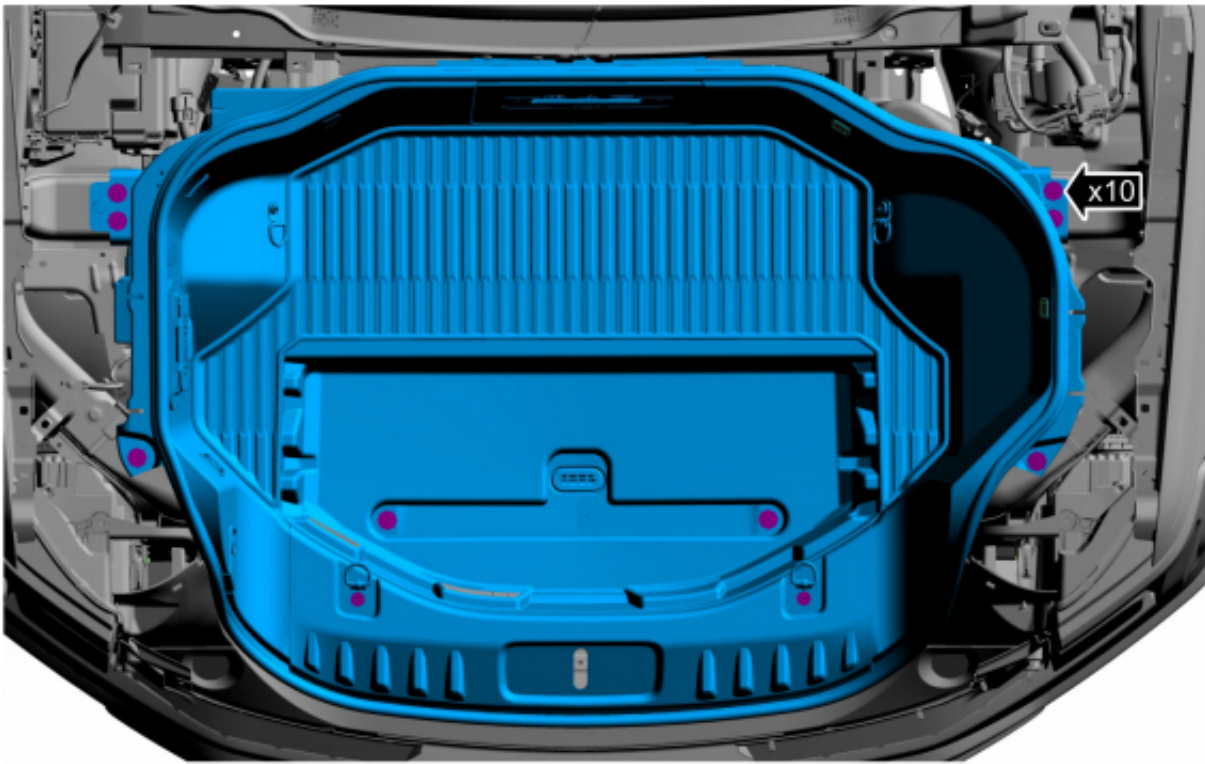
[Click here to learn about symbols, color coding, and icons used in this manual.](#)

5. **NOTE**

This step requires the aid of another technician.

Remove the bolts and the underhood storage compartment.

Torque : 22 lb.ft (30 Nm)



E376930

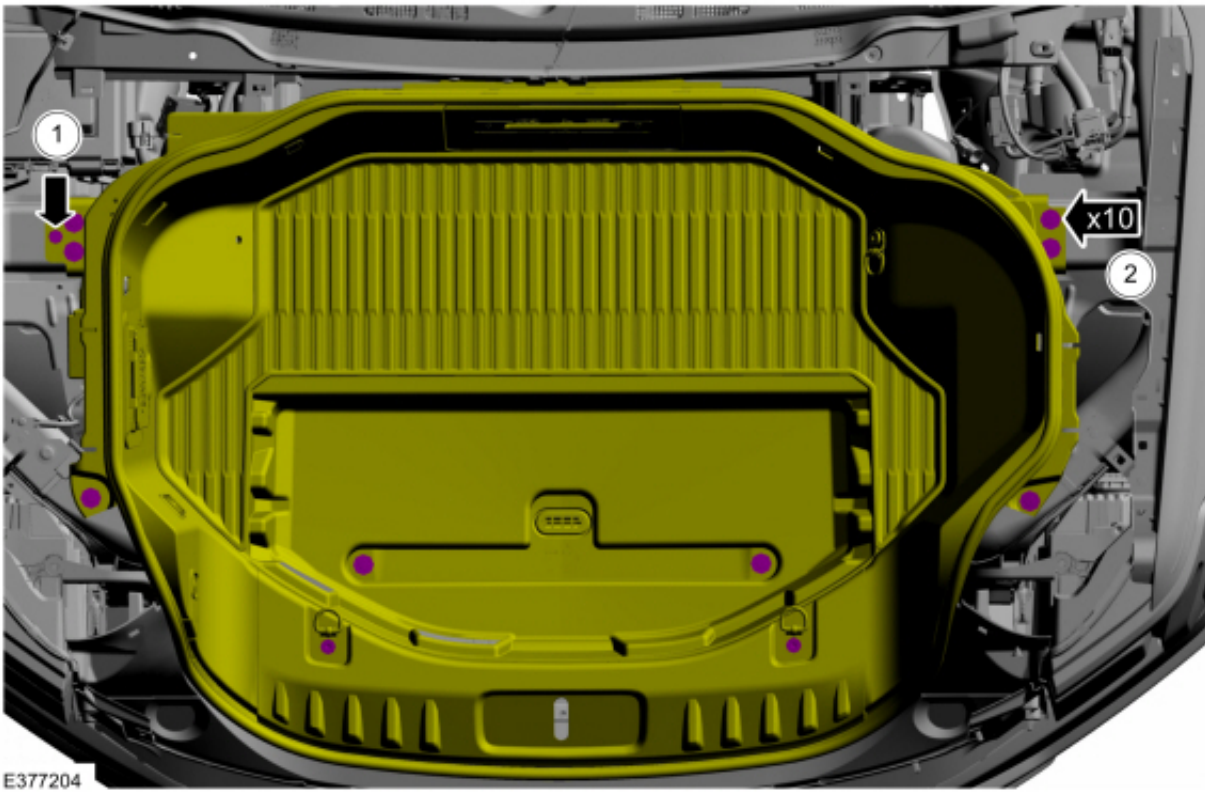
[Click here to learn about symbols, color coding, and icons used in this manual.](#)

Installation

1. **NOTE**

This step requires the aid of another technician.

1. Using the locator pin align the Storage Compartment
2. Hand tight the bolts at this stage.



[Click here to learn about symbols, color coding, and icons used in this manual.](#)

2. To install, reverse the removal procedure.

Copyright © Ford Motor Company